

# OUTDOOR REMOTE TEMPERATURE MONITORING



REF: TEM-LAB-14NS

**THIS SENLAB T™ IS A SMART WIRELESS MODULE, FEATURING THE LORAWAN™ CONNECTIVITY PROTOCOL, EQUIPPED WITH 1 METER CABLE, IDEAL TO MONITOR TEMPERATURE IN CONFINED SPACES OR DIRECT CONTACT WITH OBJECT**

This Senlab T measures temperatures from  $-55^{\circ}\text{C}$  to  $+125^{\circ}\text{C}$ , with high precision accuracy ( $\pm 0.5^{\circ}\text{C}$  from  $-10^{\circ}\text{C}$  to  $+70^{\circ}\text{C}$ ,  $\pm 0.2^{\circ}\text{C}$  else).

Designed for outdoor use, Senlab T offers a ruggedized IP68 casing and robust wireless connectivity for continuous temperature monitoring in harsh environments.

This Senlab offers best in class features as:

- Battery Life time
- Rich Data Content
- Radio Performances
- **Advanced set of functionalities** (see on verso)

## TYPICAL APPLICATIONS

- Cold storage monitoring
- Legionella outbreak prevention
- Hot water pipes control
- Machine preventive maintenance

## TECHNICAL SPECIFICATIONS

Physical specifications	Physical dimensions	56 x 102 x 35 mm
	Weight	160 gr
	Operating temperature	$-20^{\circ}\text{C}$ to $+70^{\circ}\text{C}$
RF specifications	RF sensitivity	-137 dBm
	RF power	+14 dBm (25 mW)
	Radio band	868 MHz
EC Conformity: Compliant with Directive 2014/53/UE (RED)	EMC	Final draft EN 301 489-3 v2.1.1   Draft EN 301 489-1 v2.2.0
	Radio	EN 300 220-2 v3.1.1
	Magnetic field exposure	EN 62479
	Safety	IEC 60950-1, EN 60950-22



+ 20 years



15 km \*

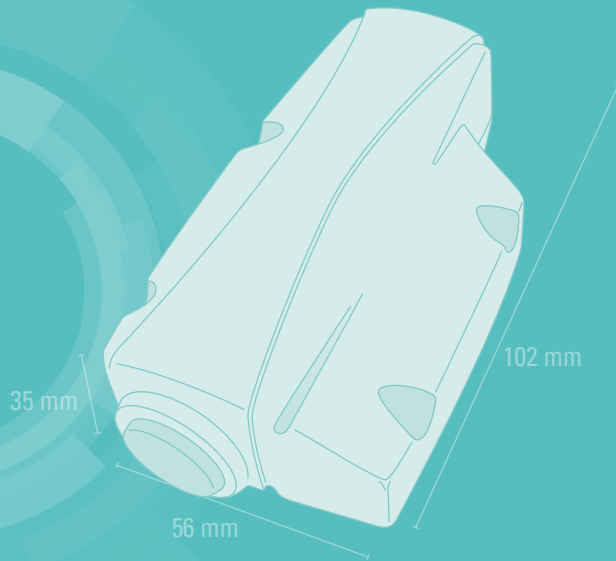


IP68  
(Outdoor use)



Local or Public  
Network compliant

**DIMENSIONAL DRAWING**



**TECHNICAL FEATURES FOCUS**

**Plug & Play installation**

- **Product fixing with 2 cable ties**
- **External Dallas temperature probe (DS18B20 - 1m cable)**
- **Probe installation on metallic pipe with perforated hose clamp**
- **Activation with magnet (LED feedback)**

**High configurability**

- **Temperature precision of +/-0.5°C range [-10;+70°C]**
- **High and Low threshold overrun configuration**
- **Log and transmit mode for battery lifetime enhancement up to 24 logs per transmission**
- **Reconfiguration possible over the air**

**Network configuration**

- **LoRaWAN parameters** (OTAA or ABP activation mode, initial datarate,...)
- **Encryption keys customizable by client**
- **Standard LoRaWAN retries support**
- **Radio collisions avoidance by pseudo-randomization of transmissions**
- **Advanced transmission reliability mechanisms** (redundancy of data, recovery of lost messages, ...)

**BATTERY LIFE DURATION ESTIMATION**

This following matrix provides the estimated battery lifetime depending on the average Spreading factor used by the Senlab and the transmission period.

Battery life (years)	10mn	15mn	30mn	1h	2h	4h	6h	8h	12h	24h
SF7	17,7	>20	>20	>20	>20	>20	>20	>20	>20	>20
SF8	13,7	16,8	>20	>20	>20	>20	>20	>20	>20	>20
SF9	9,5	12,3	17,6	>20	>20	>20	>20	>20	>20	>20
SF10	6,0	8,2	12,9	18,2	>20	>20	>20	>20	>20	>20
SF11	3,6	5,1	8,7	13,6	18,8	>20	>20	>20	>20	>20
SF12	2,1	3,0	5,5	9,3	14,2	19,4	>20	>20	>20	>20