

ix HMI Solution

ix HMI SoftControl

Frequency inverters

Remote I/O systems

FnIO S-series

Network adapter modules

EtherCAT NA9286

Modbus-TCP NA-9189

Modbus-RS485 NA-9173

Modbus-RS232 NA-9171

EtherNet/IP NA-9188

CC-Link NA-9131

CANopen NA-9161

PROFINET NA-9187

PROFIBUS NA-9122

DeviceNet NA-9111/9112

Digital input modules

Digital output modules

Analog input modules

Analog output modules

Power modules

Special modules

Data communication

Power supplies

Software

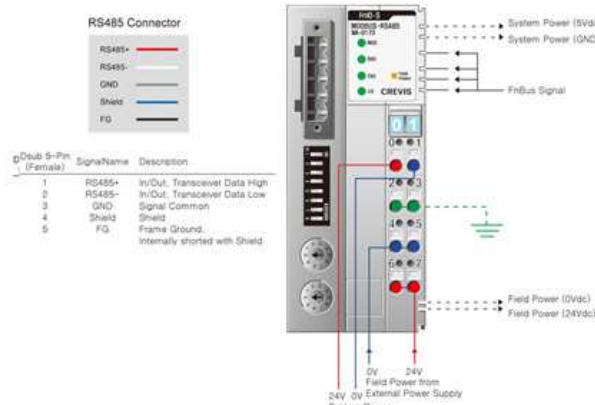
Services

Changing the game

Home » Products » Remote I/O systems » Network adapter modules » Modbus-RS485 NA-9173

Modbus-RS485

NA-9173



- NA-9173 is Modbus network adapter which connects to Modbus via 9 pin D-sub connector
- It acts as slave in the master/slave environment
- It can process max. 2016 digital input/2016 digital output or 126 analog input/126 analog output
- It has indicators for diagnostic function such as Module status, network status, expansion unit status, field power status
- It supports the communication speed of 1.2k ~ 115.2kbps and sets communication speed, Bit size, parity, stop bit by using dip switch.
- You can set the node address by using rotary switch.
- It supports 2 types of protocol, RTU and ASCII.

Request a quote

Technical data

Downloads

NA-9173	
Communication Interface Specifications	
Adapter Type	Slave node (MODBUS Serial RTU/ASCII Server)
Max. Expansion Module	32 slots
Max. Input Size	126words (252bytes)
Max. Output Size	126words (252bytes)
Max. Length Bus Line	1200m(NA-9173, RS485, depend on baud rate)
Max. Nodes	64 nodes(NA-9173, RS485)
Baud rate	1200, 2400, 4800, 9600, 19200, 38400, 57600, 115200bps
Protocol	RTU and ASCII
Interface Connector	5 Pin Open Connector
Settable Node Address	1~99 with two rotary switches
Indicator	5 LEDs 1 Green/Red, Module Status (MOD) 1 Green, Received Data (RXD) 1 Green, Transmit Data (TXD) 1 Green/Red Expansion Module Status (I/O) 1 Green, Field Power Status
Module Location	Starter module left side of FnIO system
Field Power Detection	About 11Vdc
General Specification	

System Power		Supply voltage : 24Vdc nominal Supply voltage range : 11~28.8Vdc Protection : Output current limit(Min. 1.5A) Reverse polarity protection
Power Dissipation	70mA typical @24Vdc	
Current for I/O Module	1.5A @5Vdc	
Isolation		System power to internal logic : Non-isolation System power to I/O driver : Isolation
Field Power		Supply voltage : 24Vdc nominal Supply voltage range : 11~28.8Vdc
Max. Current Field Power Contact	DC 10A Max.	
Weight	150g	
Module Size	45mm x 99mm x 70mm	