

Home > Products - Entire Product List > Terminaux tactiles (IHM) / Automates tactiles > LT4000M > Spécifications > PFXLM4B01DDC

Operator Interface Plus Control
LT4000M_{SERIES} Specifications



Specifications of PFXLM4B01DDC (Rear Module DIO / Source Output Type)

Display Specifications

LT4000M

LT4000M

Gamme

Caractéristiques

Spécifications

PFXLM4B01DDC

Options

Téléchargement

Bande d'annonce

Related Information

Produits obsolètes

Certification

Enregistrement logiciel

Virtual Resolution (pixels)		320 x 240 (QVGA)
Language Fonts *1		Japanese, ASCII, Chinese (Simplified), Chinese (Traditional), Korean, Cyrillic, Thai
Character sizes		8 x 8, 8 x 16, 16 x 16 and 32 x 32 pixel fonts
Font sizes		Width can be expanded 1 to 8 times. Height can be expanded 1/2 and 1 to 8 times.
8 x 8 pixels		40 characters per row x 30 rows
8 x 16 pixels		40 characters per row x 15 rows
16 x 16 pixels		20 characters per row x 15 rows
32 x 32 pixels		10 characters per row x 7 rows
Memory	Application memory *2	FLASH EPROM 16 MB (includes screen editing program and extended logic program)
	Logic program area	FLASH EPROM 132 KB *3 (equivalent to 15,000 steps)
	Font area	FLASH EPROM 8 MB (when limit exceeded, uses application memory)
	Data backup	nvSRAM 128 KB (rechargeable lithium battery for data backup)
	Variable area	nvSRAM 64 KB (rechargeable lithium battery for data backup)
Touch Panel	Type	Resistive Film (analog)
	Lifetime	1 million touches or more
Interface	Serial (COM1)	RS-232C/RS485 x 1 RS-232C (Connector type: RJ45, Isolation: None, Maximum baud rate: 115,200 bps, Cable Type: Shielded, Cable Maximum length: 15 m (49 ft), 5 Vdc power supply for RS-232C: None) RS-485 (Connector type: RJ45, Isolation: None, Maximum baud rate: 115,200 bps, Cable Type: Shielded, Cable Maximum length: 200 m (656 ft), Polarization: Setting is required via software when connecting Multiple LTs. Refer to the "GP-Pro EX Device/ PLC Manual" for the setting. 5 Vdc power supply for RS-485: None) *4
	CANopen (master)	CAN-CiA (ISO 11898-2:2002 Part 2), Connector: D-sub9 (plug)
	Ethernet	IEEE802.3 compliant Ethernet x 1 (Connector type: RJ45, Driver: 10 M half duplex (auto negotiation)/ 100 M full duplex (auto negotiation), Cable type: Shielded, Automatic cross-over detection: Yes)
	USB (Type A)	USB 2.0 (Type A) x 1 (Power Supply Voltage: 5Vdc +/-5%, Maximum Current Supplied: 500mA, Maximum Transmission Distance: 5m (16.4 ft.))
	USB (Mini-B)	USB 2.0 (Mini-B) x 1
	Control	DIO(Source Type)


*1 Please refer to the [GP-Pro EX Reference Manual](#) for details on font types and character codes.

*2 Capacity available for user application.

*3 Up to 60,000 steps can be converted in software. However, this reduces application memory capacity (for screen data) by 1 MB.

*4 2-wire connection is available for RS-485. When a Device/PLC supports 2-wire connection, 4 wires (RXD+, TXD+, RXD-, and TXD-) can be short-circuited to be 2 wires (RXD+ and TXD+ = D1, RXD- and TXD- = D0). For details on the connection, refer to the connection manual.

General Specifications

Supported Standards and Regulations	
Rated Input Voltage	24 Vdc
Input Voltage Limits	20 to 28.8 Vd
Acceptable Voltage Drop	10 ms or less at 20.4 Vdc
Power Consumption	7 W or less
In-Rush Current	30 A or less at 28.8 Vdc
Voltage Endurance between power terminal and frame ground (FG)	500 Vdc for 1 minute
Insulation Resistance between power terminal and FG	10 MΩ or higher at 500 Vdc

Environmental Specifications

Standard compliance		IEC 61131-2
Ambient operating temperature	Horizontal installation	0 to 50°C (32 to 122°F)
	Vertical installation	0 to 40°C (32 to 104°F)
Storage temperature		- 20 to 60°C (- 4 to 140°F)
Storage altitude		0 to 10,000 m (0 to 32,808 ft)
Operating altitude		0 to 2,000 m (0 to 6,560 ft)
Surrounding Air and Strage Humidity		5 to 85% w/o condensation (non-condensing, wet bulb temperature 39°C (102.2°F) or less)
Degree of pollution	IEC60664	2
Degree of protection	IEC61131-2	IP20 with protective covers in place
Corrosive gases		Free of corrosive gases
Dust		≤0.1 mg/m ³ (10 ⁻⁷ oz/ft ³) (non-conductive levels)
Atmospheric pressure (Operating Altitude)		800 to 1,114 hPa (2000 m (6,561 ft) or lower)
Vibration resistance	Mounted on a DIN rail	3.5 mm (0.138 in.) fixed amplitude from 5 to 8.4 Hz 9.8 m/s ² (1 g _n) fixed acceleration from 8.4 to 150 Hz
	Mounted on a panel	3.5 mm (0.138 in.) fixed amplitude from 5 to 8.6 Hz 9.8 m/s ² (1 g _n) fixed acceleration from 8.6 to 150 Hz
Mechanical shock resistance	Mounted on a DIN rail	147 m/s ² (15 g _n) for a duration of 11 ms
	Mounted on a panel	147 m/s ² (15 g _n) for a duration of 6 ms
Electrostatic discharge	IEC/EN 61000-4-2	8 kV (air discharge) 6 kV (contact discharge)
Rediated radio frequency electromagnetic fields	IEC/EN 61000-4-3	10 V/m (80 MHz to 3 GHz)
Fast transients / Burst noise	IEC/EN 61000-4-4	Power lines: 2 kV Digital I/O: 1 kV Relay outputs: 2 kV Ethernet line: 1 kV COM line: 1 kV CAN line: 1 kV

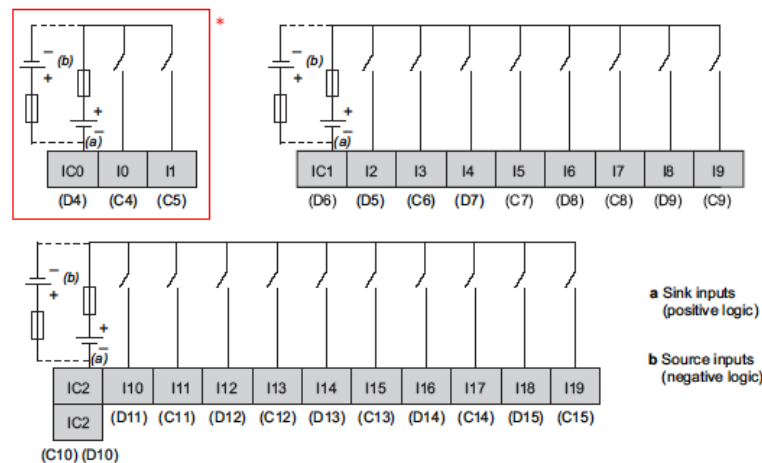
Surge immunity	IEC/EN 61000-4-5	Power supply: CM: 1 kV; DM: 0.5 kV Digital I/O: CM: 1 kV; DM: 0.5 kV Shielded cable: 1 kV CM = common drive DM = differential drive
Conducted disturbances induced by radio-frequency fields	IEC/EN 61000-4-6	10 Veff (0.15 to 80 MHz)
Mains terminal disturbance voltage	EN 55011 (IEC/CISPR11)	150 to 500 kHz, quasi peak 79 dB μ V
		500 kHz to 30 MHz, quasi peak 73 dB μ V
Electric field strength	EN 55011 (IEC/CISPR11)	30 to 230 MHz, quasi peak 10 m @40 dB μ V/m
		230 MHz to 1 GHz, quasi peak 10 m @47 dB μ V/m
Vibration immunity (operating)		IEC 61131-2
Protection structure		NEMA TYPE 4X (indoors, with panel embedded)
Protection (front module)		IP65f - (IEC 60529)
Protection (rear module)		IP 20 - (IEC 60529)
Shock immunity (operating)		IEC 61131-2 15 gn 11 ms
Cooling method		Natural air circulation
Weight		include Rear module installation adapter : 509g (17.96 oz) / only Rear module :353g (12.46 oz)
Color		RAL 7032
Material		PC/PBT

[Page Top](#)

Digital Inputs

Digital Input Characteristics

Rated Current		5 mA
Inrush Values	Voltage	30 Vdc
	Current	6.29 mA max.
Input impedance		4.9 k Ω
Input type		Sink/Source
Rated voltage		24 Vdc
Maximum Allowable Voltage		28.8 Vdc
Input limit values	ON Voltage	15 Vdc or more (15 to 28.8 Vdc)
	OFF Voltage	5 Vdc or less (0 to 5 Vdc)
	ON Current	2.5 mA or more
	OFF Current	1.0 mA or less
Isolation	Method	Photo coupler Isolation
	Between internal logic	500 Vdc
Filtering		0.5 ms x N (N is 0 to 63)
IEC61131-2 edition 3 type		Type 1
Compatibility		Supports 2 wire and 3 wire sensors
Cable type and length		Shielded: Maximum 100 m (328 ft) Non-shielded: 50 m (164 ft)
Terminal blocks		Type: 3.5 mm (0.137 in.) pitch Terminal blocks are removable
Input paralleling		No

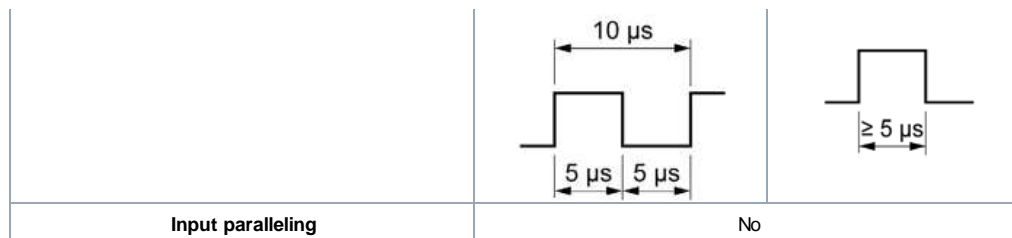


* I0 and I1 are Fast input terminals and can be also used as a Standard input. For specifications, see the specifications of Fast Input.

[Page Top](#)

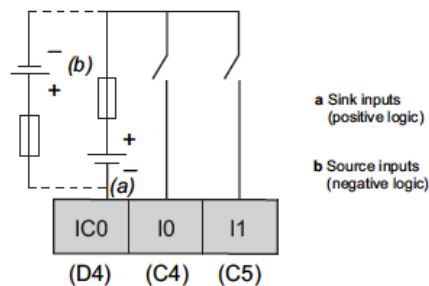
High Speed Counter Input Characteristics

Rated Current	Voltage	24 Vdc		
	Current	7.83 mA		
Inrush values	Voltage	30 Vdc		
	Current	9.99 mA		
Input impedance		3.2 kΩ		
Input type		Sink/Source		
Rated voltage		24 Vdc		
Maximum Allowable Voltage		28.8 Vdc		
Input limit values	ON Voltage	15 Vdc or more		
	OFF Voltage	5 Vdc or less		
	ON Current	5 mA or more		
	OFF Current	1.5 mA or less		
Isolation	Method	Photo coupler Isolation		
	Between channels logic	500 Vdc		
Filtering		None, 4 μs, 40 μs		
IEC61131-2 edition 3 type		Type 1		
Compatibility		Supports 2 wire and 3 wire sensors		
Cable	Type	Shielded		
	Length	Maximum 10 m (33 ft)		
Terminal blocks		Type: 3.5 mm (0.137 in.) pitch Terminal blocks are removable		
Maximum frequency		<ul style="list-style-type: none"> · 100 kHz is the maximum frequency for Single-phase · 50 kHz is the maximum frequency for 2-phase · Duty Rate: 45 to 55% 		
Phase Counting Mode		<ul style="list-style-type: none"> · Single phase · 2 Phase x2 · 2 Phase x4 · 2 Phase x2 Reverse · 2 Phase x4 Reverse 		
Response time	Marker	1 ms		
	Preload	1 ms		
	Prestrobet	1 ms		
	Synchronize output	2 ms		
Min. Pulse Width(Pulse input)		<table border="1"> <tr> <td>Counter:</td> <td>Pulse Catch Input signal ON width</td> </tr> </table>	Counter:	Pulse Catch Input signal ON width
Counter:	Pulse Catch Input signal ON width			



Input paralleling

No



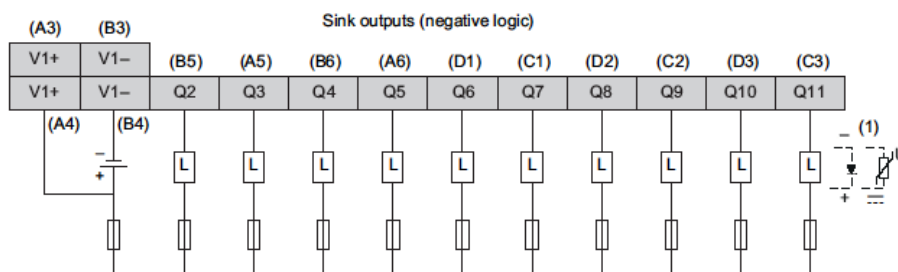
[Page Top](#)

Digital Outputs

Transistor Output Characteristics

Rated Voltage		24Vdc
Output range		19.2 to 28.8 Vdc
Output type		Source
Rated current		0.3 A/point, 3.0 A/common
Residual voltage		1.5 Vdc or less for I= 0.1A
Delay		Off to on (0.3 A load): 1.1ms On to off (0.3 A load): 2ms NOTE: The delay is not including the cable delay.
Isolation	Method	Photo coupler Isolation
	Between internal logic	500 Vdc
Minimum resistor load		80 Ω at 24 Vdc
Cable length		Non-shielded: 150 m (492 ft)
Protection against short circuit		No
Terminal blocks		Type: 3.5 mm (0.137 in.) pitch Terminal blocks are removable

NOTE: Refer to LT4201TM/4301TM Hardware Manual about Protecting Outputs from Inductive Load Damage for additional information on this topic.



(1) When connecting as power surges

* To use 3.0A common current, connect to A3 and A4 for V1+, (B3 and B4 for V1-)

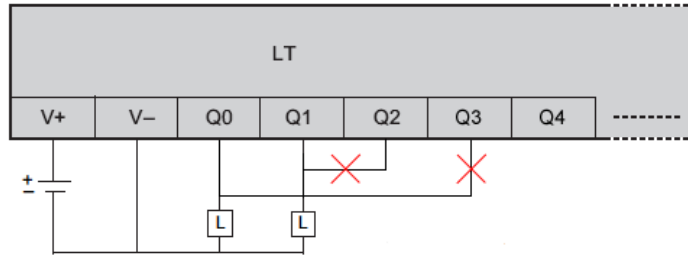
Caution: Q0 and Q1 circuits are push-pull circuits. The following is the operation of the push-pull circuit at the Sink Output and the Source Output.

Sink Output: +24(V) is output to terminal Q0, Q1 when the logic for Q0, Q1 is off

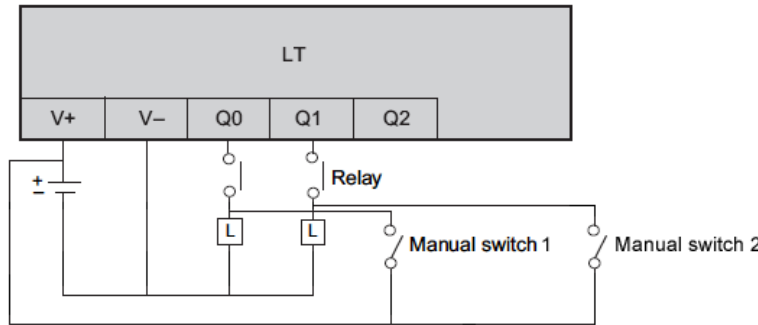
Source Output: 0(V) is output to terminal Q0, Q1 when the logic for Q0, Q1 is off

Standard Output terminals Q2 or later are common open collector outputs.

Do not connect Fast Output terminals Q0, Q1 and Standard Output terminals Q2 or later. It will short.



If you add a manual circuit to terminal Q0, Q1, isolate the manual circuit and terminal Q0, Q1 with a relay. Without isolation, it will short.

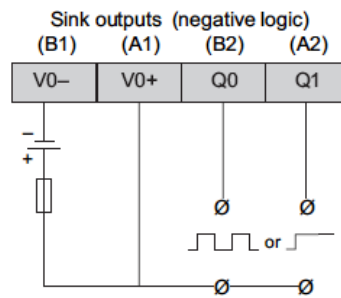


[Page Top](#)

Pulse Output/PWM Output/High-speed Counter (Synchronize Output) Characteristics

Output type		Source	
Rated voltage		24 Vdc	
Power supply input range		19.2 to 28.8 Vdc	
Power supply reverse protection		Yes	
Pulse Output/PWM output current		50 mA/point, 100 mA/common	
Response time for original input		2 ms	
Isolation resistance	Between fast outputs and internal logic	10 MΩ or more	
	Between power supply port and protective earth ground (PE) = 500 Vdc	10 MΩ or more	
Residual voltage	for I = 0, 1 A	1.5 Vdc or less	
Delay		Off to on (50 mA load): 1.1ms On to off (50 mA load): 1.1ms NOTE: The delay is not including the cable delay.	
Minimum load impedance		80 Ω	
Maximum Pulse output frequency		50 KHz	
Maximum PWM output frequency		65 kHz	
Accuracy Pulse Output/ PWM Output	Frequency	Accuracy	Duty
	10 to 100 Hz	0.1%	0 to 100%
	10 to 1000 Hz	1%	1 to 99%
	1.001 to 20 kHz	5%	5 to 95%
	20.001 to 45 kHz	10%	10 to 90%
	45.001 to 65 kHz	15%	15 to 85%
Duty rate range		1 to 99%	
Cable	Type	Shielded, including 24 Vdc power supply	
	Length	Maximum 5 m (16 ft)	
Terminal blocks		Type: 3.5 mm (0.137 in.) pitch Terminal blocks are removable	

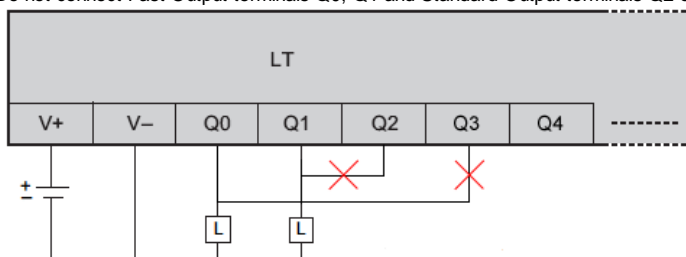
NOTE: When using the acceleration/deceleration pulse output, there is a 1% maximum error for the frequency.



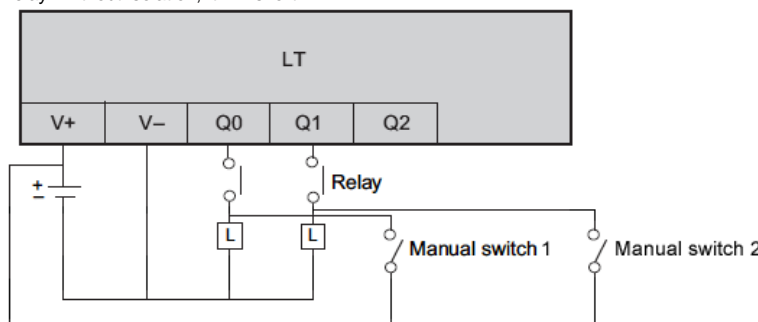
Caution: Q0 and Q1 circuits are push-pull circuits. The following is the operation of the push-pull circuit at the Sink Output and the Source Output.

Sink Output: +24(V) is output to terminal Q0, Q1 when the logic for Q0, Q1 is off
 Source Output: 0(V) is output to terminal Q0, Q1 when the logic for Q0, Q1 is off

Standard Output terminals Q2 or later are common open collector outputs.
 Do not connect Fast Output terminals Q0, Q1 and Standard Output terminals Q2 or later. It will short.



If you add a manual circuit to terminal Q0, Q1, isolate the manual circuit and terminal Q0, Q1 with a relay. Without isolation, it will short.



[Page Top](#)

Terminal Blocks

Pin Arrangement	Group	Pin	Signal Name	Group	Pin	Signal Name
	Fast Output	A1	V0+	Fast Output	B1	V0-
		A2	Q1		B2	Q0
	Standard Output	A3	V1+	Standard Output	B3	V1-
		A4	V1+		B4	V1-
		A5	Q3		B5	Q2
		A6	Q5		B6	Q4

Pin Arrangement	Group	Pin	Signal Name	Group	Pin	Signal Name
-----------------	-------	-----	-------------	-------	-----	-------------

	Standard Output	C1	Q7	Standard Output	D1	Q6
		C2	Q9		D2	Q8
		C3	Q11		D3	Q10
	Fast Input/Standard Input	C4	I0	Fast Input/Standard Input	D4	IC0
		C5	I1		D5	I2
	Standard Input	C6	I3	Standard Input	D6	IC1
		C7	I5		D7	I4
		C8	I7		D8	I6
		C9	I9		D9	I8
		C10	IC2		D10	IC2
		C11	I11		D11	I10
		C12	I13		D12	I12
		C13	I15		D13	I14
		C14	I17		D14	I16
		C15	I19		D15	I18

[Page Top](#)