

Home > Products - Entire Product List > Terminaux tactiles (IHM) / Automates tactiles > Serie GP4100 > Specifications > GP-4116T

Terminaux tactiles compacts

Série GP4100 Spécifications



Serie GP4100

[Serie GP4100](#)

[Gamme](#)

[Caractéristiques](#)

Specifications

[GP-4114T](#)

[GP-4115T](#)

[GP-4116T](#)

[GP4104G1D](#)

[GP4104W1D](#)

[GP4105G1D](#)

[GP4105W1D](#)

[GP4106G1D](#)

[GP4106W1D](#)

Specifications of GP-4116T (PFXGP4116T2D)

[Display Specifications](#)
 [Electrical Specifications](#)
 [Environmental Specifications](#)
 [Memory](#)
[Interface Specifications](#)
 [Structural Specifications](#)
 [External Dimensions](#)
 [Panel Cut Dimensions](#)
[Dimensions with Installation Fasteners Attached](#)

Display Specifications

Display type	TFT Color LCD
Display size	4.3" wide
Resolution	480 x 272 pixels
Effective display area (W x H)	W95 x H53.9 mm
Display colors	65,536 colors
Backlight	White LED (Not user replaceable. When replacement is required, contact your local distributor.)

GP4107G1D

GP4107W1D

Options

Périphériques testés

Supported Version of the
Screen Editor "GP-Pro EX"

Téléchargements

Backlight service life

50,000 hours or more

Brightness control

16 levels (Adjusted with touch panel)

[Page Top](#)

Electrical Specifications

Power supply	Rated input voltage		12 to 24 Vdc
	Input voltage limits		10.2 to 28.8 Vdc
	Voltage drop		12 Vdc: 1 ms or less 24 Vdc: 3 ms or less
	Power consumption	When power is not supplied to USB devices	3.6 W or less
		When power is supplied to USB devices	7.7 W or less
	In-rush current		12 Vdc: 20 A or less 24 Vdc: 40 A or less
Voltage endurance		1,000 Vac, 20 mA for 1 minute (between charging and FG terminals)	
Insulation resistance		500 Vdc, 10 MΩ or more (between charging and FG terminals)	

[Page Top](#)

Environmental Specifications

International safety standard



Physical environment	Surrounding air temperature	0 to 50°C (32 to 122 °F) *1
	Storage temperature	-20 to 60°C (-4 to 140°F)
	Surrounding air and storage humidity	10% to 90% RH (Non condensing, wet bulb temperature 39 °C [102.2 °F] or less)
	Dust	0.1 mg/m ³ (10 ⁻⁷ oz/ft ³) or less (non-conductive levels)
	Pollution degree	For use in Pollution Degree 2 environment
	Corrosive gases	Free of corrosive gases
	Atmospheric pressure (operating altitude)	800 to 1,114 hPa (2,000 m [6,561 ft.] or lower)
Mechanical environment	Vibration resistance	IEC/EN 61131-2 compliant 5 to 9 Hz Single amplitude 3.5 mm (0.14 in.) 9 to 150 Hz Fixed acceleration: 9.8 m/s ² X, Y, Z directions for 10 cycles (approximately 100 min.)
	Shock resistance	IEC/EN 61131-2 compliant 147 m/s ² , X, Y, Z directions for 3 times
Electrical environment	Electrostatic discharge immunity	Contact discharge method: 6 kV (IEC/EN 61000-4-2 Level 3)

[Page Top](#)

Memory

Application memory	8 MB
Backup memory	FLASH EPROM 128 KB *2

[Page Top](#)

Interface Specifications

Serial interface	Asynchronous transmission	RS-422/485
	Data length	7 or 8 bits
	Stop bit	1 or 2 bits
	Parity	None, odd, or even
	Data transmission speed	2,400 (1,200) to 115,200 bps, 187,500 bps (MPI)
	Connector	2-piece terminal block 9 pin x 1

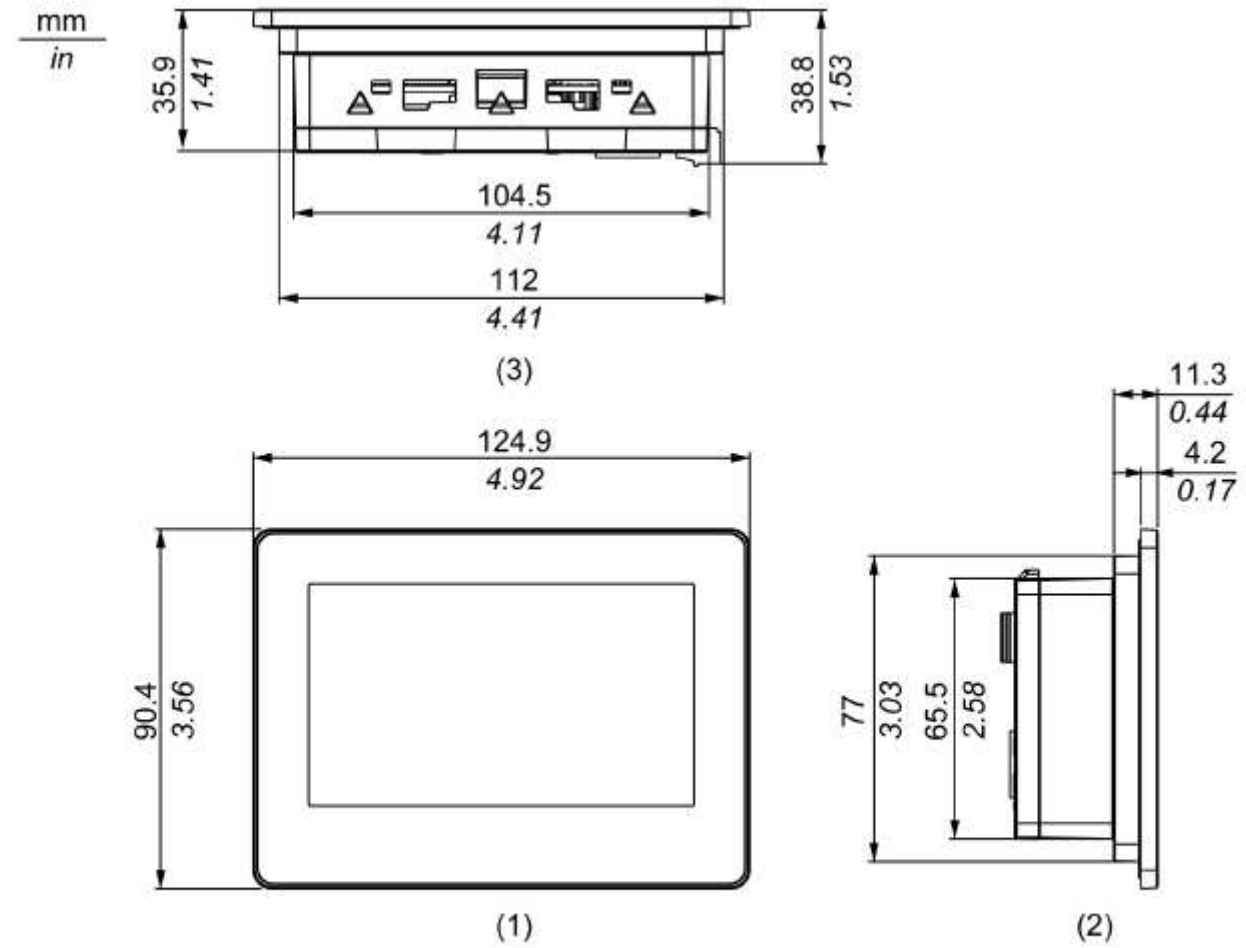
[Page Top](#)

Structural Specifications

Grounding	Functional grounding: Grounding resistance of 100 Ω , 2 mm ² (AWG 14) or thicker wire, or your country's applicable standard (same for FG and SG terminals).
Cooling method	Natural air circulation
Structure *3	IP65F, Type 1, Type 4X (Indoor Use only), Type 13 * on the front panel when properly installed in an enclosure.
External dimensions	W124.9 x H90.4 x D38.8 mm (W4.92 x H3.56 x D1.53 in.)
Panel cutout dimensions	W112.5 x H77.5 mm (W 4.43 x H3.05 in.) with Panel Cutout Adapter (PFXZCFAD31, sold separately): W105 x H66 mm (W4.13 x H2.6 in.)
Weight	0.22 kg (0.49 lb) or less

[Page Top](#)

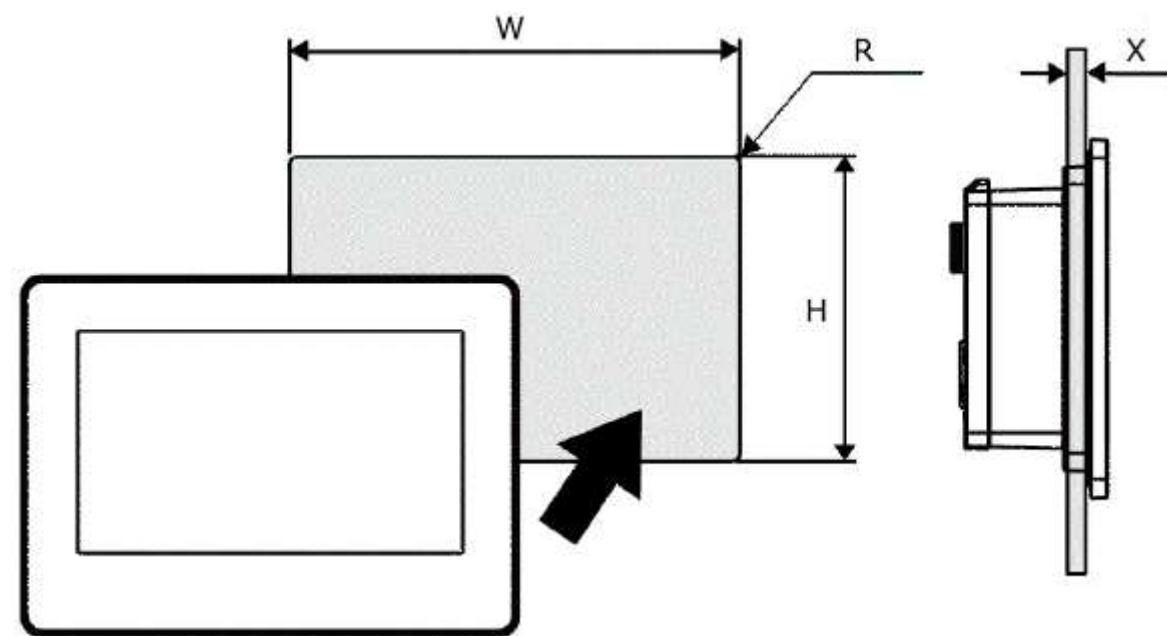
External Dimensions



- 1 Front
- 2 Left
- 3 Bottom

[Page Top](#)

Panel Cut Dimensions

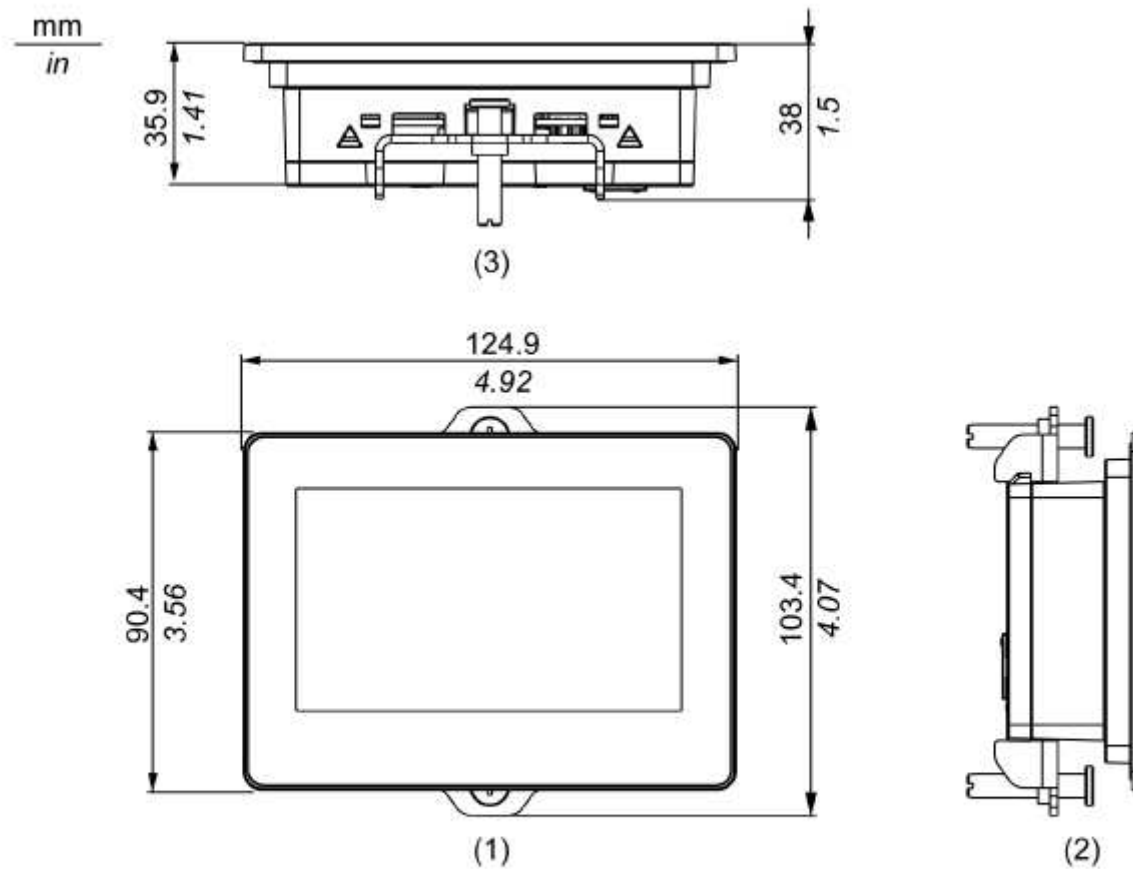


W	H	X	R
112.5 mm (+1/-0 mm) (4.43 in. [+0.04/-0 in.])	77.5 mm (+1/-0 mm) (3.05 in. [+0.04/-0 in.])	1.5 to 6 mm (0.06 to 0.24 in.)	2 to 3 mm (0.08 to 0.12 in.)

* with Panel Cutout Adapter (PFXZCFAD31, sold separately): W105 x H66 mm (W4.13 x H2.6 in.)

[Page Top](#)

Dimensions with Installation Fasteners Attached



- 1 Front
- 2 Left
- 3 Bottom

[Page Top](#)

*1 The designated range for the surrounding air temperature is 0 to 45 °C (32 to 113 °F) when the output current of USB (Type A) interface is from 0.25 A to 0.5 A.

*2 For details on the memory size, refer to the manual for your screen editing software.

*3 The front face of this product, installed in a solid panel, has been tested using conditions equivalent to the standards shown in the specification.

Even though this product's level of resistance is equivalent to these standards, oils that should have no effect on this product can possibly harm this product. This can occur in areas where either vaporized oils are present, or where low viscosity cutting oils are allowed to adhere to this product for long periods of time. If this product 's front face protection sheet peels off, these conditions can lead to the ingress of oil into this product and separate protection measures are suggested.

Also, if non-approved oils are present, they may cause deformation or corrosion of the front panel's plastic cover. Therefore, prior to installing this product, be sure to confirm the type of conditions that will be present in this product 's operating environment. If the installation gasket is used for a long period of time, or if this product and its gasket are removed from the panel, the original level of protection cannot be kept. To maintain the original protection level, be sure to replace the installation gasket regularly.

[Home](#) | [Produits](#) | [Support](#) | [Contactez-nous](#) | [Pro-face...](#) | [Recherche](#)

Recherche

[Privacy Policy](#)

Pro-face by Schneider Electric

Copyright (C) 1996-2017 Pro-face France S.A.S. Tous droits réservés.