

ST6000 Series

# PFXST6200WAD

Standard product information

Electrical specifications

Memory

Structural specifications

Display specifications

Environmental specifications

Interface specifications

Dimensions

## Standard product information

<b>Family</b>	HMI
<b>Series</b>	ST6000 Series
<b>Size</b>	4" Wide
<b>Model</b>	PFXST6200WAD
<b>Global Code</b>	PFXST6200WAD
<b>Product Features</b>	4" DC Analog
<b>Repair Status</b>	✓ (Maintenance service is available, able to be maintained.)


## Display specifications

<b>Display type</b>	TFT Color LCD
<b>Display size</b>	4.3" Wide
<b>Resolution</b>	480 x 272 pixels
<b>Effective display area</b>	W95.04 x H53.86 mm [W3.74 x H2.12 in]
<b>Display colors</b>	16 million colors
<b>Backlight</b>	White LED (Not user replaceable. When replacement is required, contact your local distributor.)
<b>Backlight service life</b>	50,000 hrs. or more (each in continuous operation at 25 °C [77 °F] before backlight brightness decreases to 25%)
<b>Brightness control</b>	16 Levels (Adjusted with touch panel or software)
<b>Touch panel type</b>	Resistive Film (analog, single-touch)
<b>Touch panel resolution</b>	1,024 x 1,024
<b>Touch panel lifetime</b>	1,000,000 times or more

## Electrical specifications

<b>Rated input voltage</b>	24 Vdc
<b>Input voltage limits</b>	19.2 to 28.8 Vdc
<b>Allowable voltage drop</b>	2 ms or less
<b>Power consumption</b>	Max. 6.9 W When power is not supplied to external devices: 3.6 W or less When screen turns off the backlight (standby mode): 2.8 W or less

<b>In-rush current</b>	30 A or less
<b>Voltage endurance</b>	1,000 Vac, 20 mA for 1 minute (between power terminal and FG terminals)
<b>Insulation resistance</b>	500 Vdc, 10 MΩ or more (between power terminal and FG terminals)

Environmental specifications	
<b>International safety standards</b>	
<b>Surrounding air temperature</b>	0 to 50 °C [32 to 122 °F]
<b>Storage temperature</b>	-20 to +60 °C [-4 to 140 °F]
<b>Ambient humidity</b>	10 to 90 % RH (Wet bulb temperature: 39 °C [102.2 °F] max. - no condensation)
<b>Storage humidity</b>	10 to 90 % RH (Wet bulb temperature: 39 °C [102.2 °F] max. - no condensation)
<b>Dust</b>	0.1 mg/m <sup>3</sup> (10 <sup>-7</sup> oz/ft <sup>3</sup> ) or less (non-conductive levels)
<b>Pollution degree</b>	For use in Pollution Degree 2 environment
<b>Corrosive gases</b>	Free of corrosive gases
<b>Air pressure (altitude range)</b>	800 to 1,114 hPa (2,000 m [6,561 ft.] above sea level or less)
<b>Vibration resistance</b>	IEC/EN 61131-2 compliant 5 to 9 Hz single amplitude 3.5 mm [0.14 in.] 9 to 150 Hz fixed acceleration: 9.8 m/s <sup>2</sup> X, Y, Z directions for 10 cycles (approx. 100 min.)
<b>Concussion resistance</b>	IEC/EN 61131-2 compliant 147 m/s <sup>2</sup> , X, Y, Z directions for 3 times
<b>Electrical fast transient/burst</b>	IEC 61000-4-4 2 kV: Power port (display unit) 1 kV: Signal ports
<b>Electrostatic discharge immunity</b>	Contact Discharge Method: 6 kV Air Discharge Method: 8 kV (IEC/EN61000-4-2 Level 3)

Memory	
<b>Application memory</b>	<b>When using BLUE:</b> FLASH EPROM 128MB  <b>Removable System:</b> No
<b>Backup memory</b>	<b>When using BLUE:</b> NVRAM 500KB  <b>Battery:</b> Replaceable battery / Primary battery for clock data backup

Interface specifications	
<b>Serial (COM1)</b>	Asynchronous Transmission: RS-232C / 422 / 485, Data Length: 7 or 8 bits, Stop Bit: 1 or 2 bits, Parity: None, Even or Odd, Data Transmission Speed: 2,400 to 115,200 bps, Connector: D-Sub 9 pin (plug)
<b>USB (Type A)</b>	Conforms to USB 2.0 (Type A) x 1 Power supply voltage: 5 Vdc ±5 % Output Current: 500 mA or less Communication distance: 5 m [16.4 ft.] or less
<b>USB (micro-B)</b>	USB 2.0 (micro-B) x 1, Communication Distance: 5 m [16.4 ft]
<b>Ethernet</b>	IEEE802.3i / IEEE802.3u, 10BASE-T / 100BASE-TX, Connector: Modular jack (RJ-45) x 1

Structural specifications

G

C

S

E

P

di

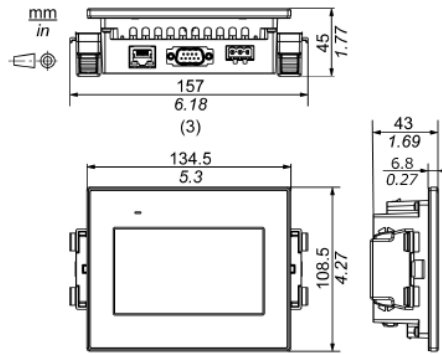
W

- \*1 The front face of the unit, installed in a solid panel, has been tested using conditions equivalent to the standards shown in the specification. Even though the unit's level of resistance is equivalent to these standards, oils that should have no effect on the unit can possibly harm the unit. This can occur in areas where either vaporized oils are present, or where low viscosity cutting oils are allowed to adhere to the unit for long periods of time. If the unit's front face protection sheet becomes peeled off, these conditions can lead to the ingress of oil into the unit and separate protection measures are suggested. Also, if non-approved oils are present, it may cause deformation or corrosion of the front panel's plastic cover. Therefore, prior to installing the unit, be sure to confirm the type of conditions that will be present in the unit's operating environment. If the installation gasket is used for a long period of time, or if the unit and its gasket are removed from the panel, the original level of the protection cannot be guaranteed. To maintain the original protection level, be sure to replace the installation gasket regularly.
- \*2 For dimensional tolerance, everything  $+1/-0$  mm [ $+0.04/-0$  in.] and R in angle are below R3 [R0.12 in.]. Even if the installation wall thickness is within the recommended range for the "Panel Cut Dimensions", depending on wall's material, size, and installation location of GP unit and other devices, the installation wall could warp. To prevent warping, the installation surface may need to be strengthened.

Dimensions

<p><b>External dimensions</b></p>									
<p><b>Panel cut-out dimensions</b></p>	<table border="1" data-bbox="487 1528 1214 1780"> <thead> <tr> <th>A</th> <th>B</th> <th>C</th> </tr> </thead> <tbody> <tr> <td>118.5 mm (+1/0 mm) (4.67 in. [+0.04/0 in.])</td> <td>92.5 mm (+1/0 mm) (3.64 in. [+0.04/0 in.])</td> <td>1.6 to 5 mm (0.06 to 0.2 in.)  When installing ST-6200WA with spring clips: Position 1: 1.5 to 4 mm (0.06 to 0.16 in.) Position 2: 4 to 6 mm (0.16 to 0.24 in.)</td> </tr> </tbody> </table>			A	B	C	118.5 mm (+1/0 mm) (4.67 in. [+0.04/0 in.])	92.5 mm (+1/0 mm) (3.64 in. [+0.04/0 in.])	1.6 to 5 mm (0.06 to 0.2 in.)  When installing ST-6200WA with spring clips: Position 1: 1.5 to 4 mm (0.06 to 0.16 in.) Position 2: 4 to 6 mm (0.16 to 0.24 in.)
A	B	C							
118.5 mm (+1/0 mm) (4.67 in. [+0.04/0 in.])	92.5 mm (+1/0 mm) (3.64 in. [+0.04/0 in.])	1.6 to 5 mm (0.06 to 0.2 in.)  When installing ST-6200WA with spring clips: Position 1: 1.5 to 4 mm (0.06 to 0.16 in.) Position 2: 4 to 6 mm (0.16 to 0.24 in.)							

**External Dimensions  
with Spring Clips**



**External dimensions  
with cable**

