

STW6000 Series

PFXSTW6700WAD

Standard product information

Electrical specifications

Interface specifications

Dimensions

Display specifications

Environmental specifications

Structural specifications

Standard product information

Family	Web HMI
Series	STW6000 Series
Size	15" Wide
Model	PFXSTW6700WAD
Global Code	PFXSTW6700WAD
Sales Status	Sale
Repair Status	✓ (Maintenance service is available, able to be maintained.)

Display specifications

Display type	TFT Color LCD
Display size	15.6" Wide
Resolution	1,366 x 768 pixels (FWXGA)
Effective display area	W344.23 x H193.54 mm [W13.55 x H7.62 in.]
Display colors	16 million colors ^{*1}
Backlight	White LED (Not user replaceable. When replacement is required, contact your local distributor.)
Backlight service life	50,000 hrs. or more (each in continuous operation at 25 °C [77 °F] before backlight brightness decreases to 25%)
Brightness control	16 Levels (Adjusted with touch panel)
Touch panel type	Resistive Film (analog, single-touch)
Touch panel resolution	1,024 x 1,024
Touch panel lifetime	1,000,000 times or more
CPU	ARM Cortex A8 800MHz
Browser	Chromium Browser


*1 For details about Display colors, refer to the manual for your screen editing software.

Electrical specifications

Rated input voltage	24 Vdc
----------------------------	--------

Input voltage limits	19.2 to 28.8 Vdc
Allowable voltage drop	10 ms or less
Power consumption	Max. 18.5 W When power is not supplied to external devices: 15 W or less When screen turns off the backlight (standby mode): 5.4 W or less
In-rush current	30 A or less
Voltage endurance	1,000 Vac, 20 mA for 1 minute (between power terminal and FG terminals)
Insulation resistance	500 Vdc, 10 MΩ or more (between power terminal and FG terminals)

Environmental specifications

International safety standards	
Surrounding air temperature	0 to 50 °C [32 to 122 °F]
Storage temperature	-20 to +60 °C [-4 to 140 °F]
Dust	0.1 mg/m ³ (10 ⁻⁷ oz/ft ³) or less (non-conductive levels)
Pollution degree	For use in Pollution Degree 2 environment
Corrosive gases	Free of corrosive gases
Air pressure (altitude range)	800 to 1,114 hPa (2,000 m [6,561 ft.] above sea level or less)
Vibration resistance	IEC/EN 61131-2 compliant 5 to 9 Hz single amplitude 3.5 mm [0.14 in.] 9 to 150 Hz fixed acceleration: 9.8 m/s ² X, Y, Z directions for 10 cycles (approx. 100 min.)
Concussion resistance	IEC/EN 61131-2 compliant 147 m/s ² , X, Y, Z directions for 3 times
Electrical fast transient/burst	IEC 61000-4-4 2 kV: Power port (display unit) 1 kV: Signal ports
Electrostatic discharge immunity	Contact Discharge Method: 6 kV Air Discharge Method: 8 kV (IEC/EN61000-4-2 Level 3)

Interface specifications

USB (Type A)	Conforms to USB 2.0 (Type A) x 1 Power supply voltage: 5 Vdc ±5 % Output Current: 500 mA or less Communication distance: 5 m [16.4 ft.] or less
USB (micro-B)	--The USB (micro-B) interface is disabled.
Ethernet	IEEE802.3i / IEEE802.3u, 10BASE-T / 100BASE-TX, Connector: Modular jack (RJ-45) x 2 ^{*2}

*2 ETH1 and ETH2 have the same IP address and MAC address.

Structural specifications

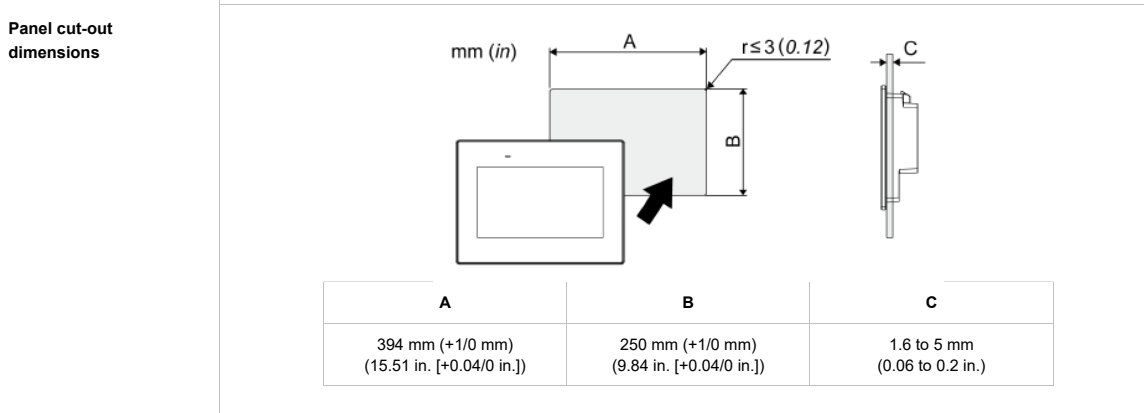
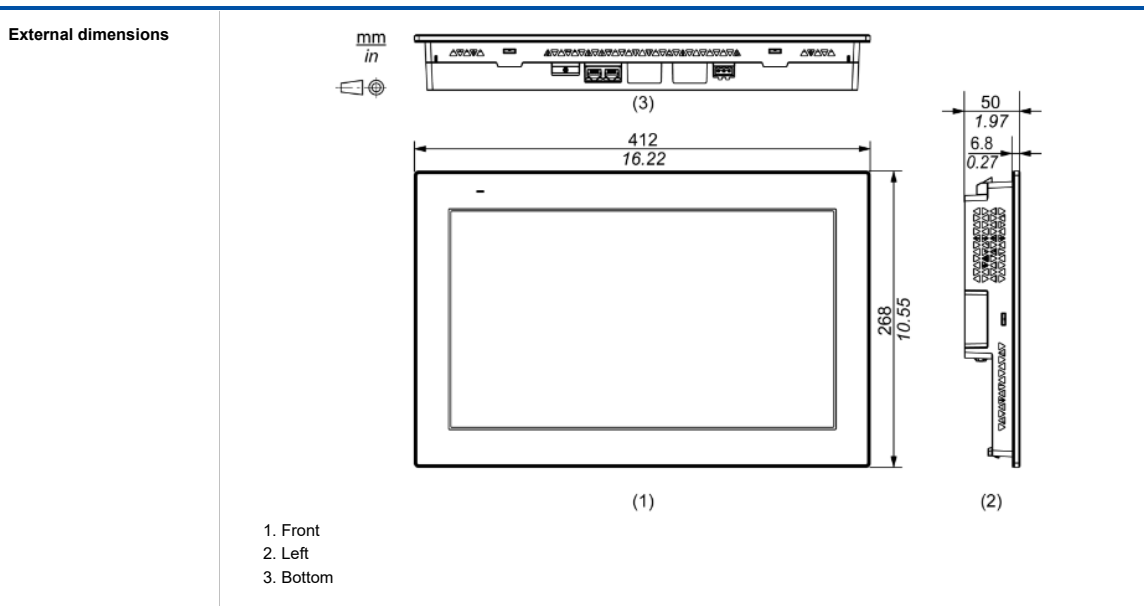
Grounding	Functional grounding: Grounding resistance of 100 Ω, 2mm ² (AWG 14) or thicker wire, or your country's applicable standard. (Same for FG and SG terminals)
Cooling method	Natural air circulation

Structure	IP65F, Type 1, Type 4X (indoor use only), Type 13 (on the front panel when properly installed in an enclosure)* ³
External dimensions	W412 x H268 x D50 mm [W16.22 x H10.55 x D1.97 in.]
Panel cut-out dimensions	W394 x H250 mm [W15.51 x H9.84 in.] Panel thickness area: 1.6 to 5 mm [0.06 to 0.2 in.]* ⁴
Weight	2.7 kg [5.95 lb] or less

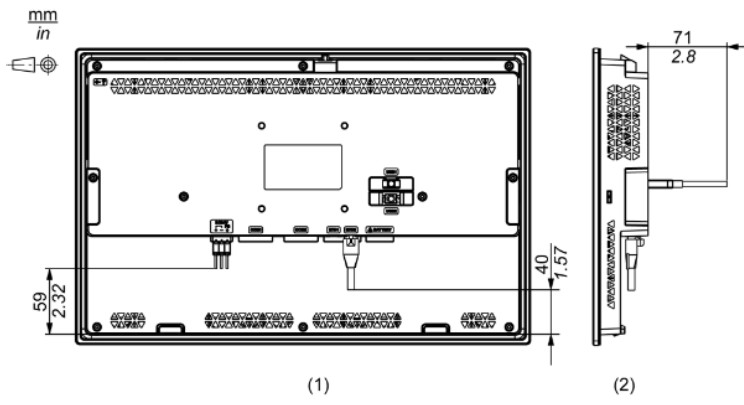
*³ For dimensional tolerance, everything +1/-0 mm (+0.04/-0 in) and R in angle are below R3 (R0.12 in)

*⁴ For dimensional tolerance, everything +1/-0 mm [+0.04/-0 in.] and R in angle are below R3 [R0.12 in.]. Even if the installation wall thickness is within the recommended range for the "Panel Cut Dimensions", depending on wall's material, size, and installation location of GP unit and other devices, the installation wall could warp. To prevent warping, the installation surface may need to be strengthened.

Dimensions



External dimensions
with cable



- 1. Rear
- 2. Right