

Home > Products - Entire Product List > Smart Portal > SP5000 Series > Specifications > SP-5500WA/SP-5B40

Smart Portal
SP5000 SERIES Specifications



Specifications of PFXSP5500WAD (Display) / PFXSP5B40 (Box Module)

[Display Specifications](#) [Electrical Specifications](#) [Environmental Specifications](#) [Memory](#)
[Interface Specifications\(Box Module\)](#) [Structural Specifications](#) [External Dimensions](#) [Panel Cut-out](#)
[External Dimensions with cables](#)

Display Specifications

Display Type		TFT Color LCD
Display Size		10.1"
Resolution		1,280 x 800 pixels (WXGA)
Effective Display Area		W216.96 x H135.6 mm (W8.54 x H5.34 in.)
Display Colors		262,144 colors
Backlight		White LED (Not user replaceable. When replacement is required, contact your local distributor.)
Backlight Service Life		50,000 hours or more (continuous operation at 25 °C [77 °F] before backlight brightness decreases to 50%)
Brightness Control		0...100 (Adjusted with touch panel or software)
Touch Panel	Type	Resistive Film (analog)
	Resolution	1,024 x 1,024
	Service Life	1 million times or more

[Page Top](#)

Electrical Specifications

Power Supply	Rated Input Voltage	12...24 Vdc
	Input Voltage Limits	10.8...28.8 Vdc
	Voltage Drop	12 Vdc: 1.25 ms or less 24 Vdc: 5 ms or less
	Power Consumption (Primary Power Supply [including power loss])	Max. 43.5 W
	In-Rush Current	30 A or less
Voltage Endurance		1,000 Vac, 20 mA for 1 minute (between charging and FG terminals)
Insulation Resistance		500 Vdc, 10 MΩ or more (between charging and FG terminals)

[Page Top](#)

Environmental Specifications

International Safety Standard		
Physical Environmen	Surrounding Air Temperature	0...60 °C (32...140 °F)
	Storage Temperature	-20...60 °C (-4...140 °F)

	Surrounding Air and Storage Humidity	10%...90% RH (Non condensing, wet bulb temperature 39 °C [102.2 °F] or less)
	Dust	0.1 mg/m3 (10-7 oz/ft3) or less (non-conductive levels)
	Pollution Degree	For use in Pollution Degree 2 environment
	Corrosive Gases	Free of corrosive gases
	Atmospheric Pressure (Operating Altitude)	800...1,114 hPa (2,000 m [6,561 ft] or lower)
Mechanical Environment	Vibration Resistance	IEC/EN 61131-2 compliant 5...9 Hz Single amplitude 3.5 mm (0.14 in.) 9...150 Hz Fixed acceleration: 9.8 m/s ² X, Y, Z directions for 10 cycles (approx. 100 min.)
	Shock Resistance	IEC/EN 61131-2 compliant 147 m/s ² , X, Y, Z directions for 3 times
Electrical Environment	Noise Immunity	Noise Voltage: 1,000 Vp-p Pulse Duration: 1 µs Rise Time: 1 ns (via noise simulator)
	Electrostatic Discharge Immunity	Contact Discharge Method: 6 kV (IEC/EN 61000-4-2 Level 3)

NOTE: When using any of the options for this product, make sure to check the specifications for any special conditions or cautions that may apply to this product.

[Page Top](#)

Memory

Application Memory	Screen Size: 64MB *CFast card
	Free Space: About 5GB*1
Backup Memory	NVRAM 320 KB

*1 You can install the applications you have used. As for hardware specifications, the CPU is Intel® Atom™ E6x0 1.3GHz (Single core/Dual thread) and the main memory is 'DDR2 SDRAM 2GB'. For the other hardware specifications, refer to "SP5000 Series Open Box Reference Manual".

[Page Top](#)

Interface Specifications(Box Module)

Serial Interface COM1	Asynchronous Transmission	RS-232C/422/485
	Data Length	7 or 8 bits
	Stop Bit	1 or 2 bits
	Parity	None, odd, or even
	Data Transmission Speed	2,400(1,200)...115,200 bps
	Connector	D-Sub 9 pin (plug)
Serial Interface COM2	Asynchronous Transmission	RS-232C/422/485
	Data Length	7 or 8 bits
	Stop Bit	1 or 2 bits
	Parity	None, odd, or even
	Data Transmission Speed	2,400(1,200)...115,200 bps
	Connector	D-Sub 9 pin (plug)
USB (Type A) Interface	Connector	USB 2.0 (Type A) x 3
	Power Supply Voltage	5 Vdc ±5%
	Maximum Current Supplied	500 mA/port, 1 A total for 3 ports
	Maximum Transmission Distance	5 m (16.4 ft)
USB	Connector	USB 2.0 (mini-B) x 1

(mini-B) Interface	Maximum Transmission Distance	5 m (16.4 ft)
Ethernet Interface	Standard	IEEE802.3i/IEEE802.3u/IEEE802.3ab, 10BASE-T/100BASE-TX/1000BASE-T
	Connector	Modular jack (RJ-45) x 2
SD Card Interface	SD Card	SD Card Slot(Storage) x 1
CFast Card Interface	CFast Card	CFast Card Slot(System) x 1 CFast Card Slot(Storage) x 1
Expansion Unit Interface	Expansion Unit	Fieldbus Unit x 1
Video Interface	DVI-D	DVI-D OUT
	Connector	DVI-D 24 pin(socket) x 1
Sound Input Interface	Sound Input	MIC or LINE input(software switch)
	Connector	MINI-JACK Ø3.5 x 1
Sound Output Interface	Speaker Output	300 mW (Rated Load: 8 Ω, Frequency: 1 kHz)
	LINE Output	Rated load: 10 kΩ or more
	Connector	2-piece terminal block (AUX) x 1
AUX Output Interface	AUX Output	Alarm Output/Buzzer Output
	Rated Voltage	24 Vdc
	Rated Current	50 mA or less
	Connector	2-piece terminal block (AUX) x 1

[Page Top](#)

Structural Specifications

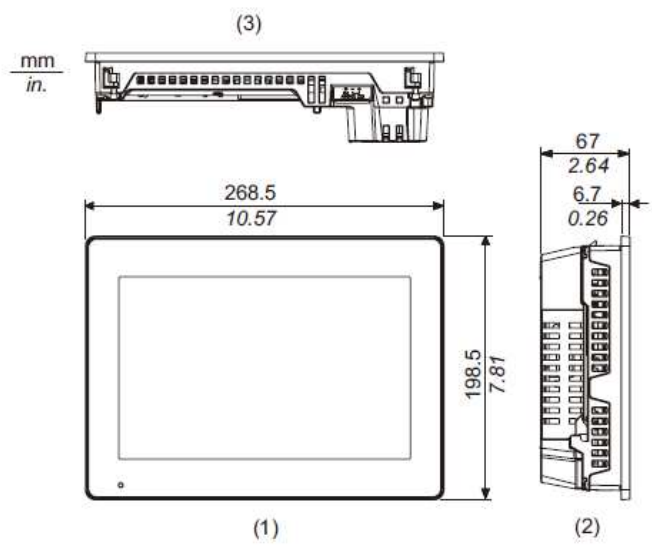
Grounding	Functional grounding: Grounding resistance of 100 Ω, 2 mm ² (AWG 14) or thicker wire, or your country's applicable standard (same for FG and SG terminals).
Cooling Method	Natural air circulation
Structure *2	IP66F, IP67F, Type 4X (Indoor Use Only)/13 NOTE: The option is a front USB cover with screw manufactured by Pro-face (Model Number PFXZCDCVUS1).
External Dimensions(Display)	W268.5 x H198.5 x D67 mm(W10.57 x H7.81 x D2.64 in.)
External Dimensions(Box Module)	W188 x H131 x D45 mm(W7.4 x H5.16 x D1.77 in.)
Panel Cut Dimensions	W255 x H185 mm(W10.04 x H7.28 in.)*3 Panel thickness area:1.6...5 mm (0.06...0.2 in.)*4
Weight *5	3.4 kg (7.48 lb) or less

- *2 The front face of this product, installed in a solid panel, has been tested using conditions equivalent to the standards shown in the specification.
- *3 For dimensional tolerance, everything +1/-0 mm (+0.04/-0 in.) and R in angle are below R3 (R0.12 in.)
- *4 Even if the installation wall thickness is within the recommended range for the "Panel Cut Dimensions", depending on wall's material, size, and installation location of this product and other devices, the installation wall could warp. To prevent warping, the installation surface may need to be strengthened.
- *5 The weight for the combined unit of Box Module and Display Module equals the sum of the weight for the Modules.

[Page Top](#)

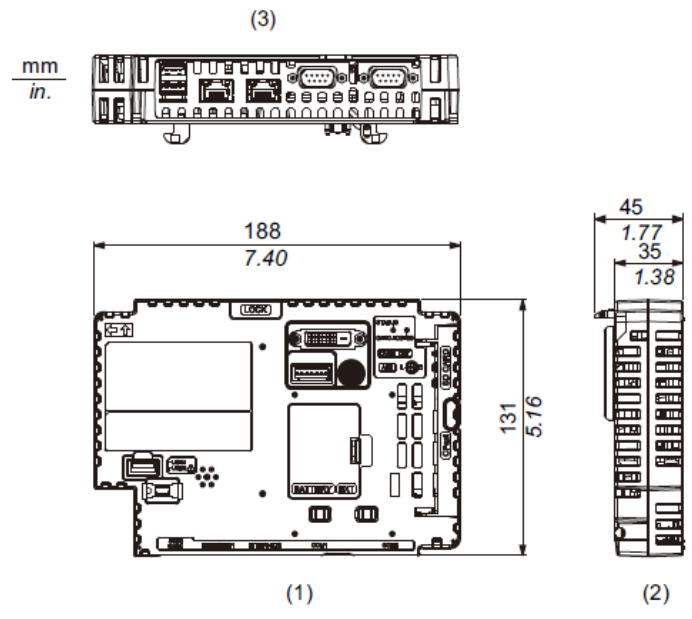
External Dimensions

Display



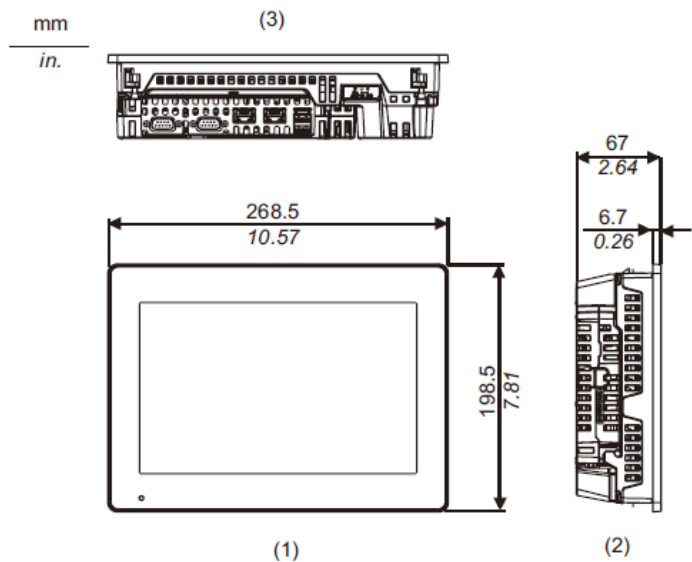
- 1 Front
- 2 Left
- 3 Bottom

Box Module



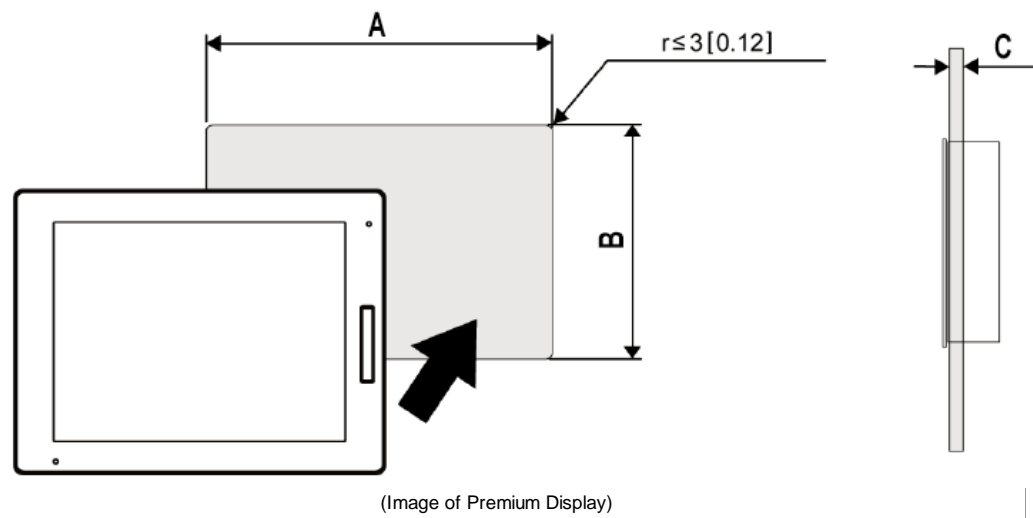
- 1 Front
- 2 Left
- 3 Bottom

Display module and box module combination



- 1 Front
- 2 Left
- 3 Bottom

Panel Cut-out



Model Name	A	B	C
SP-5500WA	255 (+1/-0) [10.04 (+0.04/-0)]	185 (+1/-0) [7.28 (+0.04/-0)]	1.6...5 mm (0.06...0.2 in.)

[Page Top](#)

External Dimensions with cables

