

Home > Products - Entire Product List > Smart Portal > SP5000 Series > Specifications > SP-5600WA/SP-5B10

Smart Portal  
**SP5000 SERIES** Specifications



**SP5000 Series**

SP5000 Series

Lineup

Features

Specifications

**SP-5600WA/SP-5B10**

Options

Downloads

Concept Movie

**Specifications of PFXSP5600WAD (Display) / PFXSP5B10 (Box Module)**

[Display Specifications](#)   
 [Electrical Specifications](#)   
 [Environmental Specifications](#)   
 [Memory](#)  
[Interface Specifications\(Box Module\)](#)   
 [Structural Specifications](#)   
 [External Dimensions](#)   
 [Panel Cut-out](#)  
[External Dimensions with cables](#)

**Display Specifications**

<b>Display Type</b>	TFT Color LCD	
<b>Display Size</b>	12.1"	
<b>Resolution</b>	1,280 x 800 pixels (WXGA)	
<b>Effective Display Area</b>	W261.12 x H163.2 mm(W10.28 x H6.43 in.)	
<b>Display Colors</b>	262,144 colors	
<b>Backlight</b>	White LED (Not user replaceable. When replacement is required, contact your local distributor.)	
<b>Backlight Service Life</b>	50,000 hours or more (continuous operation at 25 °C [77 °F] before backlight brightness decreases to 50%)	
<b>Brightness Control</b>	0...100 (Adjusted with touch panel or software)	
<b>Touch Panel</b>	<b>Type</b>	Resistive Film (analog)
	<b>Resolution</b>	1,024 x 1,024
	<b>Service Life</b>	1 million times or more

[Page Top](#)

**Electrical Specifications**

<b>Power Supply</b>	<b>Rated Input Voltage</b>	12...24 Vdc
	<b>Input Voltage Limits</b>	10.8...28.8 Vdc
	<b>Voltage Drop</b>	12 Vdc: 1.25 ms or less 24 Vdc: 5 ms or less
	<b>Power Consumption (Primary Power Supply [including power loss])</b>	Max. 36.5 W
	<b>In-Rush Current</b>	30 A or less
<b>Voltage Endurance</b>		1,000 Vac, 20 mA for 1 minute (between charging and FG terminals)
<b>Insulation Resistance</b>		500 Vdc, 10 MΩ or more (between charging and FG terminals)

[Page Top](#)

**Environmental Specifications**

<b>International Safety Standard</b>		
<b>Physical Environmen</b>	<b>Surrounding Air Temperature</b>	0...60 °C (32...140 °F)
	<b>Storage Temperature</b>	-20...60 °C (-4...140 °F)

	<b>Surrounding Air and Storage Humidity</b>	10%...90% RH (Non condensing, wet bulb temperature 39 °C [102.2 °F] or less)
	<b>Dust</b>	0.1 mg/m3 (10-7 oz/ft3) or less (non-conductive levels)
	<b>Pollution Degree</b>	For use in Pollution Degree 2 environment
	<b>Corrosive Gases</b>	Free of corrosive gases
	<b>Atmospheric Pressure (Operating Altitude)</b>	800...1,114 hPa (2,000 m [6,561 ft] or lower)
<b>Mechanical Environment</b>	<b>Vibration Resistance</b>	IEC/EN 61131-2 compliant 5...9 Hz Single amplitude 3.5 mm (0.14 in.) 9...150 Hz Fixed acceleration: 9.8 m/s <sup>2</sup> X, Y, Z directions for 10 cycles (approx. 100 min.)
	<b>Shock Resistance</b>	IEC/EN 61131-2 compliant 147 m/s <sup>2</sup> , X, Y, Z directions for 3 times
<b>Electrical Environment</b>	<b>Noise Immunity</b>	Noise Voltage: 1,000 Vp-p Pulse Duration: 1 µs Rise Time: 1 ns (via noise simulator)
	<b>Electrostatic Discharge Immunity</b>	Contact Discharge Method: 6 kV (IEC/EN 61000-4-2 Level 3)

NOTE: When using any of the options for this product, make sure to check the specifications for any special conditions or cautions that may apply to this product.

[Page Top](#)

### Memory

<b>Application Memory</b>	Screen Size: 64MB *SD card
	Free Space: None
<b>Backup Memory</b>	NVRAM 320 KB
<b>Control Memory</b>	64KB

[Page Top](#)

### Interface Specifications(Box Module)

<b>Serial Interface COM1</b>	<b>Asynchronous Transmission</b>	RS-232C/422/485
	<b>Data Length</b>	7 or 8 bits
	<b>Stop Bit</b>	1 or 2 bits
	<b>Parity</b>	None, odd, or even
	<b>Data Transmission Speed</b>	2,400(1,200)...115,200 bps
	<b>Connector</b>	D-Sub 9 pin (plug)
<b>Serial Interface COM2</b>	<b>Asynchronous Transmission</b>	RS-232C/422/485
	<b>Data Length</b>	7 or 8 bits
	<b>Stop Bit</b>	1 or 2 bits
	<b>Parity</b>	None, odd, or even
	<b>Data Transmission Speed</b>	2,400(1,200)...115,200 bps, 187,500 bps(MPI)
	<b>Connector</b>	D-Sub 9 pin (plug)
<b>USB (Type A) Interface</b>	<b>Connector</b>	B 2.0 (Type A) x 2
	<b>Power Supply Voltage</b>	5 Vdc ±5%
	<b>Maximum Current Supplied</b>	500 mA/port
	<b>Maximum Transmission Distance</b>	5 m (16.4 ft)
<b>USB (mini-B) Interface</b>	<b>Connector</b>	USB 2.0 (mini-B) x 1
	<b>Maximum Transmission Distance</b>	5 m (16.4 ft)

<b>Ethernet Interface</b>	<b>Standard</b>	IEEE802.3i/IEEE802.3u/IEEE802.3ab, 10BASE-T/100BASE-TX/1000BASE-T
	<b>Connector</b>	Modular jack (RJ-45) x 2
<b>SD Card Interface</b>	<b>SD Card</b>	SD Card Slot(System) x 1 SD Card Slot(Storage) x 1
<b>CFast Card Interface</b>	<b>CFast Card</b>	-
<b>Expansion Unit Interface</b>	<b>Expansion Unit</b>	Fieldbus Unit x 1
<b>Video Interface</b>	<b>DVI-D</b>	-
	<b>Connector</b>	-
<b>Sound Input Interface</b>	<b>Sound Input</b>	-
	<b>Connector</b>	-
<b>Sound Output Interface</b>	<b>Speaker Output</b>	300 mW (Rated Load: 8 Ω, Frequency: 1 kHz)
	<b>LINE Output</b>	Rated load: 10 kΩ or more
	<b>Connector</b>	2-piece terminal block (AUX) x 1
<b>AUX Output Interface</b>	<b>AUX Output</b>	Alarm Output/Buzzer Output
	<b>Rated Voltage</b>	24 Vdc
	<b>Rated Current</b>	50 mA or less
	<b>Connector</b>	2-piece terminal block (AUX) x 1

[Page Top](#)

### Structural Specifications

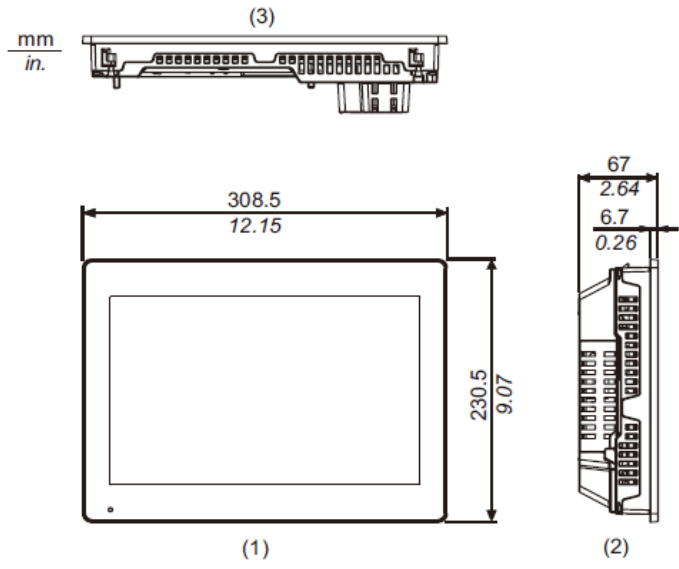
<b>Grounding</b>	Functional grounding: Grounding resistance of 100 Ω, 2 mm <sup>2</sup> (AWG 14) or thicker wire, or your country's applicable standard (same for FG and SG terminals).
<b>Cooling Method</b>	Natural air circulation
<b>Structure *1</b>	IP66F, IP67F, Type 4X (Indoor Use Only)/13 NOTE: The option is a front USB cover with screw manufactured by Pro-face (Model Number PFXZCDCVUS1).
<b>External Dimensions(Display)</b>	W308.5 x H230.5 x D67 mm(W12.15 x H9.07 x D2.64 in.)
<b>External Dimensions(Box Module)</b>	W188 x H131 x D45 mm(W7.4 x H5.16 x D1.77 in.)
<b>Panel Cut Dimensions</b>	W295 x H217 mm(W11.61 x H8.54 in.)*2 Panel thickness area:1.6...5 mm (0.06...0.2 in.)*3
<b>Weight *4</b>	3.9 kg (8.58 lb) or less

- \*1 The front face of this product, installed in a solid panel, has been tested using conditions equivalent to the standards shown in the specification.
- \*2 For dimensional tolerance, everything +1/-0 mm (+0.04/-0 in.) and R in angle are below R3 (R0.12 in.)
- \*3 Even if the installation wall thickness is within the recommended range for the "Panel Cut Dimensions", depending on wall's material, size, and installation location of this product and other devices, the installation wall could warp. To prevent warping, the installation surface may need to be strengthened.
- \*4 The weight for the combined unit of Box Module and Display Module equals the sum of the weight for the Modules.

[Page Top](#)

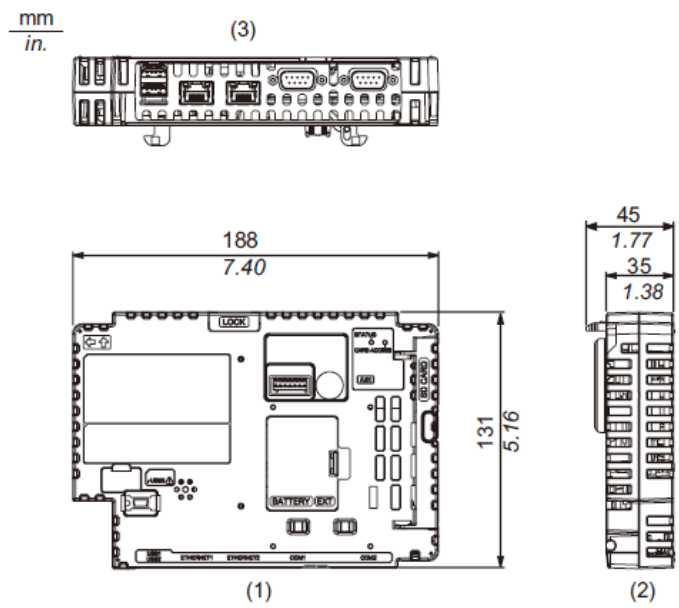
### External Dimensions

#### Display



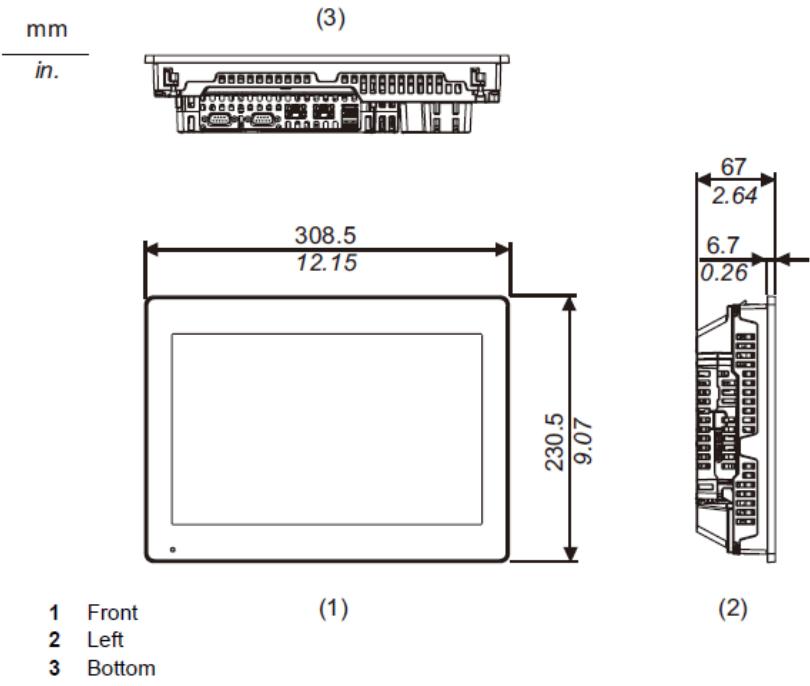
- 1 Front
- 2 Left
- 3 Bottom

**Box Module**

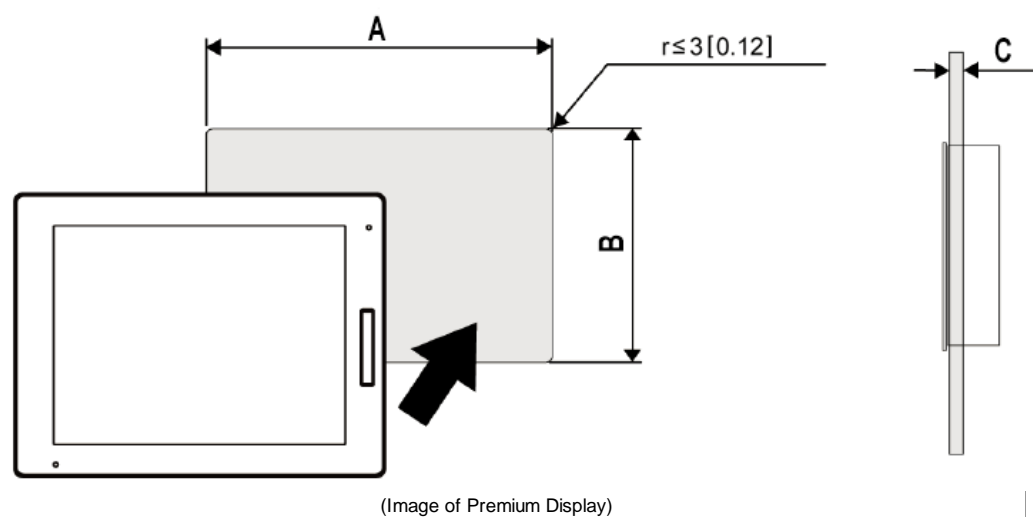


- 1 Front
- 2 Left
- 3 Bottom

**Display module and box module combination**



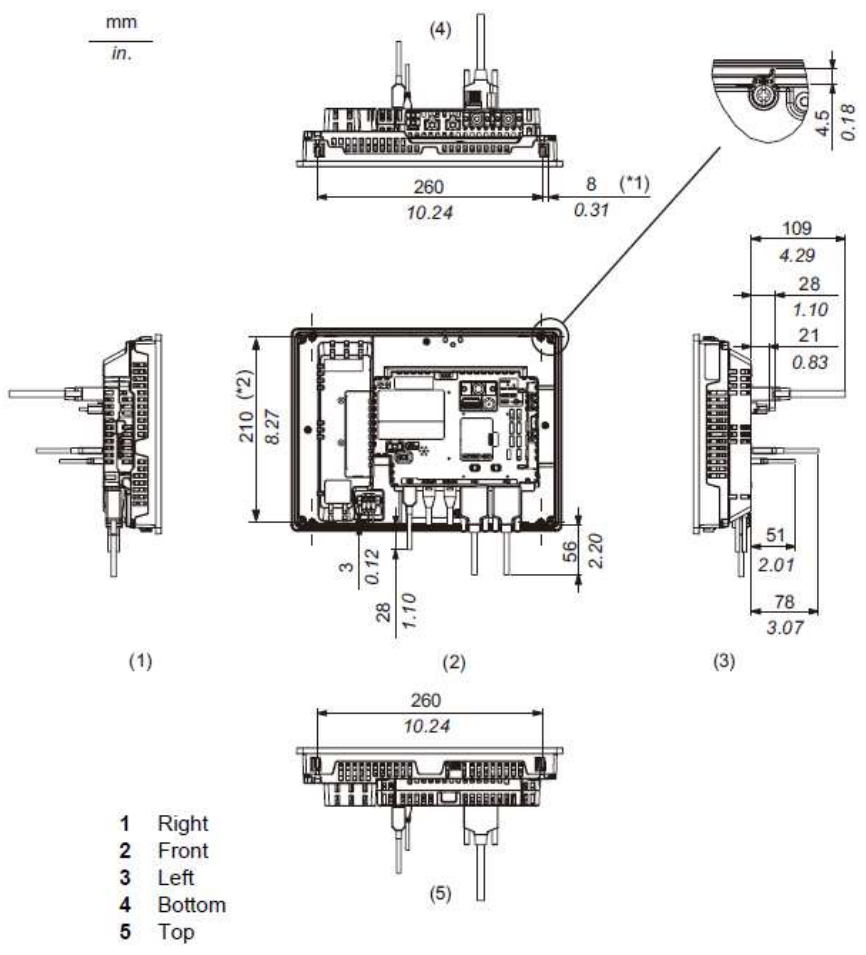
**Panel Cut-out**



Model Name	A	B	C
SP-5600WA	295 (+1/-0) [11.61 (+0.04/-0)]	217 (+1/-0) [8.54 (+0.04/-0)]	1.6...5 mm (0.06...0.2 in.)

[Page Top](#)

**External Dimensions with cables**



\*1 Rotation area of the fastener  
\*2 Pitch of center of installation fastener screws

[Page Top](#)