



Dimensions 48x96x80 mm (1/16 DIN)

Main features

- Safety high temperature alarm threshold with relay output
- Retained alarm output with manual operator acknowledge
- Dedicated frontal button for alarm reset
- Counting of high temperature alarm tripping
- Time totalisation of high temperature alarm tripping
- Operator interface with large LCD Display, customizable, with choice of colors
- Scrolling diagnostic messages, configurable, in the selected language
- Easy, guided configuration, copy/paste parameters even with power off
- Different password levels
- Universal input configurable for thermocouples, RTDs, Current/Voltage inputs
- Relay, logic,
- RS485 serial communication in Modbus RTU
- Removable faceplate for quick replacement
- Sampling time 60 ms

PROFILE

Indicators 1250 L used to limit overheating in industrial processes.

In the event of alarm, the instrument latches the fault conditions until reset by the operator. Reset can be run by the operator from the front key (red R), from the digital input (optional) or serial line (optional).

As an additional feature, the instrument counts the number of times the alarm limit is exceeded and total amount of time the alarm is active.

This information can help to evaluate furnace deterioration and plan maintenance work.

The displays show the process values, plus multilingual scrolling messages for diagnostics and alarms.

The 1250 L model includes a segmented bar that graphically displays the temperature deviation from the alarm limit.

Configuration and unit operation is done with the front keys.

The keys have dual-function LEDs indicating pressing of the keys. The LEDs

provide feedback for pressed key and also provide guidance for permitted operations.

Initial commissioning is simplified by guided configuration text prompts that cover the commonly used base parameters accompanied by in line help messages.

With GF_eXpress software and PC, you can program the extended configuration, create recipes and update the firmware without having to apply power to the instrument.

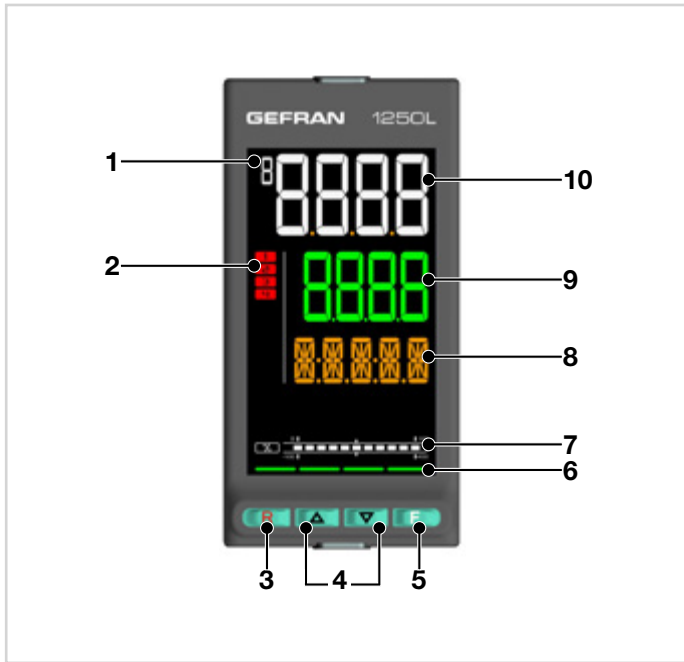
Thanks to the Smart Configurator function, you obtain the required configuration by answering a few simple questions. The initial parameters can always be reset, both from the keypad and from the GF_eXpress software.

The devices offer complete diagnostics (broken or incorrect connection of sensor), operation count, settable alarm limits (useful for scheduling preventive maintenance) A trigger meter and alarm memory reset timer are available for alarm 1.

Maintenance of the system in which the device is installed is made easier by the ability to replace the instrument at any time simply by removing it from the faceplate.

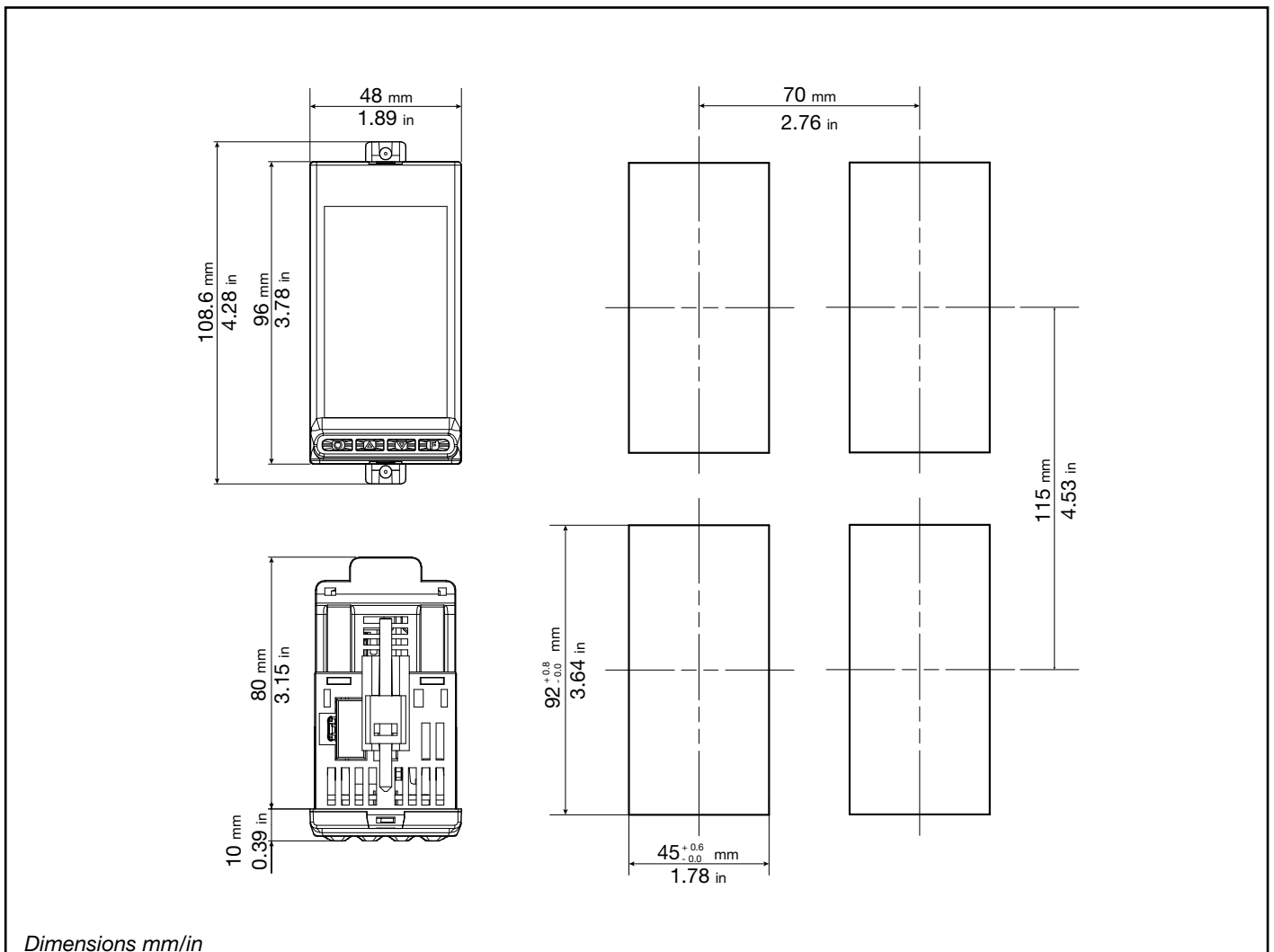
No additional steps are needed.

DISPLAY AND KEYS



1. Temperature unit of measurement
2. ALARM status
3. Alarm reset key
4. Up/down keys: raise/lower the value of the parameter displayed on the SV or PV display.
5. F key: lets you navigate among menus and parameters. Confirms the parameter value and selects the next parameter.
6. Alarm 1 limit deviation display
7. Key pressed signals.
8. Display F: parameters, diagnostic and alarm messages.
9. SV display: Alarm 1 limit, parameters being set.
10. PV display: process variable, parameter values.

DIMENSIONS AND DRILLING TEMPLATE



TECHNICAL DATA

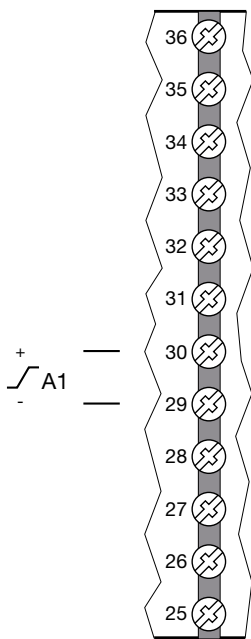
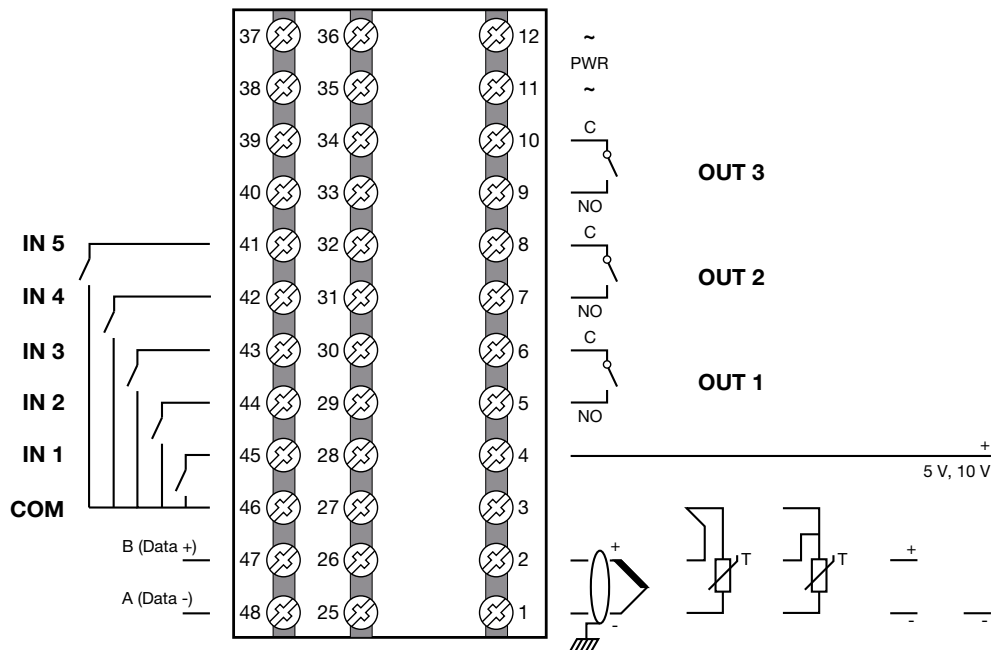
OPERATOR INTERFACE		1250 L
DISPLAY	Type	LCD black background
	Screen area (L x H)	37×68 mm (1.46" x 2.68")
	Lighting	Backlit with LEDs, life > 40.000 hours @ 25 °C * with brightness level BACKL=0.8
	PV Display	Number of digits: 4 to 7 segments, with decimal point Digit height: 17 mm Color: white or "custom"
	SV Display	Number of digits: 4 to 7 segments, with decimal point Digit height: 14 mm Color: green or "custom"
	F Display	Number of digits: 5 to 14 segments, with decimal point Digit height: 9 mm Color: ambra or "custom"
	Engineering units	Selectable, °C, °F or custom ¹ Color: same as PV display
	Alarms state signals	Number: 4 (1, 2, 3, 4) Color: red
	Bargraph indicator, configurable	Type: graphic bargraph, 11 segments Deviation between AL1 and PV
KEYPAD		Keys number: 4, silicone (R, INC,DEC,F) Type: mechanical
INPUTS		
MAIN INPUT	Sensor type	TC, RTD (PT100, JPT100), infrared sensor, DC linear sensor
	Accuracy	TC inputs: Calibration accuracy: < +/- (0.25% of reading value in °C +0.1°C) Linearization accuracy: 0.1% of reading value Cold junction accuracy: < +/- 1.5°C a 25°C room temperature Cold junction compensation: > 30:1 rejection to the change of the room RTD input: Calibration accuracy: < +/- (0.15% of reading value in °C +0.4°C) Temperature drift: < +/- (0.005% of reading value in °C +0.015°C)/°C from 25°C room temperature Linearization accuracy: 0.1% of reading value Linear inputs: Calibration accuracy: < 0.1% full scale Temperature drift: < +/- 0.005% full scale /°C at 25°C room temperature
	Sampling time	60 ms / 120 ms, selectable
	Digital filter	0.0...20.0 s
	Temperature unit of measurement	Degrees C / F, selectable from keypad
	Signal interval	Type: linear Scale: -1999...9999, settable decimal point
	TC (thermocouple) input	Thermocouple: J, K, R, S, T, C, D, B, E, L, L GOST, U, G, N, Pt20Rh-Pt40Rh Linearization: ITS90 or custom
	RTD (resistance thermometer) input	Resistance thermometer: PT100, JPT100 Input impedance (Ri): ≥ 30 kΩ Linearization: DIN 43760 or custom Max. line resistance: 20 Ω
	DC linear input	0...60 mV input impedance (Ri): > 70 kΩ 0...1 V input impedance (Ri): > 15 kΩ 0...5 V / 0...10 V input impedance (Ri): > 30 kΩ 0/4...20 mA input impedance (Ri): 50 Ω Linearization: linear or custom
DIGITAL INPUTS	Type	voltage dry contact, or NPN 24 V - 4.5 mA, or PNP 12/24 V - max 3.6 mA <i>(for detail see electrical connections)</i>
	Isolation	500 V
	Number	5 max

OUTPUTS		
	Relay (R)	Number: 4 max Type of relay contact: NO Max. current: 5 A, 250 VAC / 30 VDC, $\cos\phi = 1$ Minimum load: 5 V, 10 mA Life cycle: > 100,000 operations Double isolation
	Analog retransmission (A1)	Number: 1 max 0...10 V, max 20 mA, $R_{out} > 500 \Omega$ 0...20 mA, 4...20 mA, $R_{out} < 500 \Omega$ Resolution: 12 bit Isolated from main input
ALARMS	Number of alarm functions	4 max, assignable to an output
	Possible configurations	Maximum, minimum, symmetric, absolute/relative, exclusion at firing, memory, reset from keypad and/or contact,
CONTROL FUNCTIONS		
DIAGNOSTIC		Short circuit or open circuit
RETENTIVE MEMORY	Type	EEPROM
	Max. number of writes	1,000.000
SERIAL INTERFACE		
		Type: RS485 Baudrate: 1200, 2400, 4800, 9600, 19.200, 38.400, 57.600, 115.200 bit/s Protocoll: MODBUS RTU Isolated from main input
GENERAL DATA		
POWER SUPPLY	Operating voltage	100...240 VAC/VDC $\pm 10\%$, 50/60 Hz (on request 20...27 VAC/VDC $\pm 10\%$)
	Power dissipation	10 W max
	Protections	Overvoltage 300 V / 35 V
	Connection	Screw terminals and crimp connector, max. wire section 1 mm ²
CONNECTIONS	Serial configuration port (for USB connection)	Connector: microUSB
	Inputs and outputs	Screw terminals and crimp connector, max. wire section 2,5 mm ²
AMBIENT CONDITIONS	Use	Indoor
	Altitude	2000 m max
	Operating temperature	-10 ... +55 °C (as per IEC 68-2-14)
	Storage temperature	-20 ... +70 °C (as per IEC 68-2-14)
	Relative humidity	20...85% RH non-condensing (as per IEC 68-2-3)
PROTECTION LEVEL		IP 65 on front panel (as per IEC 68-2-3)
ASSEMBLY	Positioning	On panel, removable faceplate
	Installation regulations	Installation category: II; Pollution degree: 2 Isolation: double
DIMENSIONS		48 × 96 mm (1/8 DIN) (1.89" × 3.78") Depth: 80 mm (3.15")
WEIGHT		0.24 kg (53 lb)
CE STANDARDS	EMC (electromagnetic compatibility)	Conforms to directive 2014/30/EU with reference to standard EN 61326-1 emission in industrial environment class A for models 650 LV, 1250 emission in residential environment class B for models 650 HV
	Safety LVD	conforms to directive 2014/35/EU with reference to standard EN61010-1

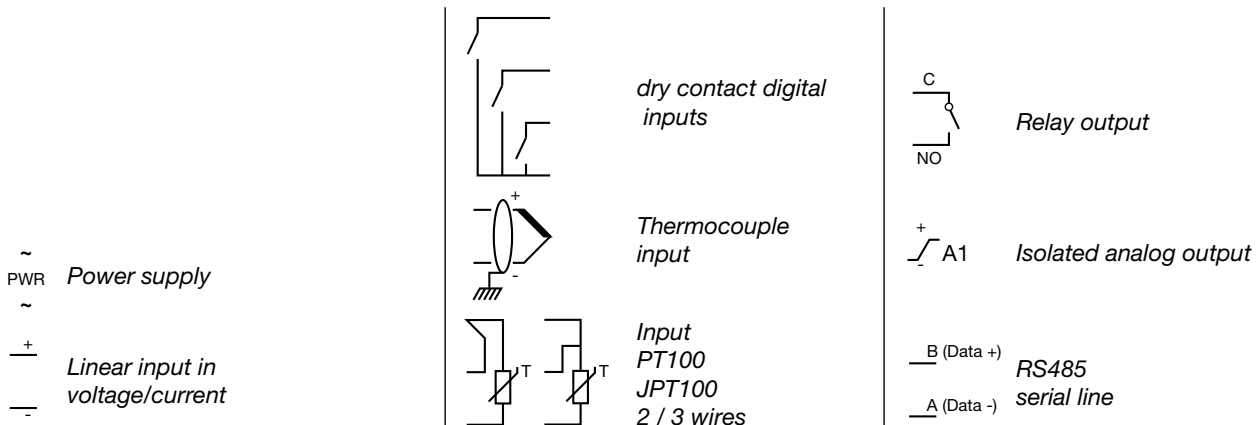
ACCESSORIES

Code	Description
F060800	Cable for programming with PC, USB-TTL 3 V with USB – microUSB connectors, length 1.8 m
F043958	“GF_eXpress” software CD
F060909	Configuration kit for new instruments GF_eXK-3-0-0
51969	Rubber gasket 48×96 for display
51068	Rubber gasket 48×96 for panel
49030	Fastening clip (models 1250 L)
51328	Finger safe cover (models 1250 L)
51738	36 replacement terminals (model 1250 L)

CONNECTION DIAGRAM



LEGEND



ATTENTION: For correct installation, read the warnings in the instruction manual.

ORDER METHODS

Power supply 100...240 VAC/VDC

Code F	Model	Valves	Programmer	Inputs			Outputs					RS485	Logic functions	Total Number of Outputs	
				Digital	CT	SPR	Relay	Triac	Logic	Analog I	Analog V/I				
F068636	1250L-R-RR0-00000-1-G						3								3 outputs
F068638	1250L-R-RR0-01051-1-G			5			3				1	•			4 outputs

Power supply 20...27 VAC/VDC

Code F	Model	Valves	Programmer	Inputs			Outputs					RS485	Logic functions	Total Number of Outputs	
				Digital	CT	SPR	Relay	Triac	Logic	Analog I	Analog V/I				
F068637	1250L-R-RR0-00000-0-G						3								3 outputs
F069117	1250L-R-RR0-01051-0-G			5			3				1	•			4 outputs

Please contact GEFRAN for information on additional model codes.

FM	FM approvals project NO: 0003054712
UL	Conformity C/UL/US File no. E216851
CE	EMC (electromagnetic compatibility): conforms to directive 2014/30/EU with reference to standard EN 61326-1 emission in industrial environment class A Safety LVD: conforms to directive 2014/35/EU with reference to standard EN61010-1