



## Accessoires pour produits Wireless

### Dispositif de mesure de champ swView 868 MHz

Code-article: 1190393 (Ancien code-article: 90590025)

#### Caractéristiques/Options:

- Approprié uniquement pour technologie radio sWave<sup>®</sup> 868 MHz
- Dispositif de mesure de champ pour la définition du plan de fréquences
- Pour mesurer et afficher la force du champ électrique
- Les piles sont comprises dans la livraison
- Différentes fonctions sélectionnables: mode Scan, mode Répéteur, mode Rescan, mode Radio Link

#### Photo produit





## // swView 868/915

### Betriebsanleitung / Feldstärkemessgerät Operating instructions / Field strength testing tool

#### English

##### Destination and use

swView is a mobile device for measuring of electrical field strengths. It helps installing wireless switchgear that supports the steute Wireless protocol. The transmission is carried out on 868.3 MHz or 915 MHz.



##### General description

Switch-on  
Switch-off

press on On/Off push-button  
press on On/Off push-button for approx. 2 s and release. The swView switches automatically off, if it has not been taken into operation within 5 min.

##### Functions of swView

Scan mode  
Repeat mode  
Rescan mode  
Radio link

These functions are divided in 2 display menus

##### Main menu

Scan mode  
Repeat mode

##### Sub-menu

Radio link  
Rescan mMode  
Scan mode

##### Selection of main menu

The main menu is displayed after switch-on of the swView

It can be returned to the sub-menu from the scan, rescan mode and radio link.

1. Press and release **SELECT** push-button.

##### Selection of a function

1. Select the function with the **SELECT** push-button  
2. Confirm with the **SET** push-button

##### Selection of the sub-menu

This menu refers to a selected ID No. This means that at least one ID No. must be scanned in order to select this menu.

1. Select the **scan mode** from the main menu and confirm with the **SET** push-button.  
2. If no ID No. has been stored, scan a new ID No.  
3. Select an ID No. with the **SELECT** push-button  
4. Confirm with the **SET** push-button.

##### Return to main menu

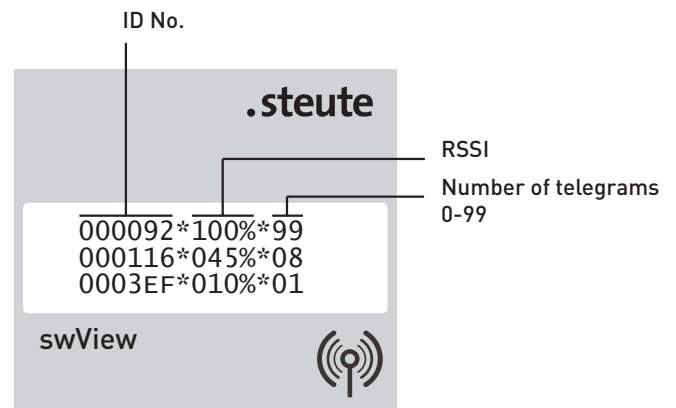
1. Press the **SELECT** push-button for 2 s  
2. Lighting points display  
3. Release the **SELECT** push-button

##### Return to sub-menu

##### Description of functions

###### Scan mode

Up to 10 different telegrams are shown in the scan mode. Starting from the 11th telegram the existing telegrams are overwritten.



1. ID No.: ID number of received telegram  
2. RSSI: Signal strength in percent  
3. Number of telegrams: Number of occurring telegrams with this ID No.



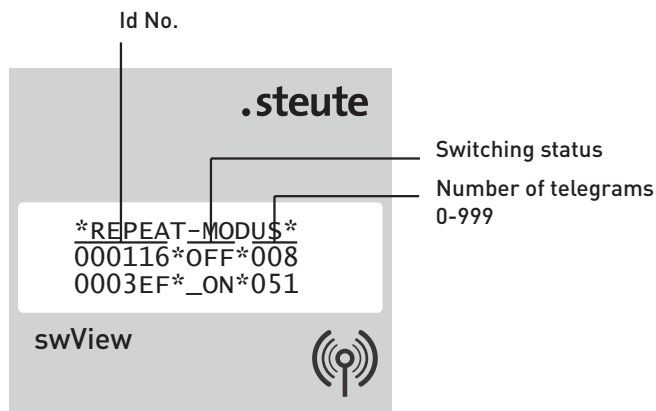
## // swView 868/915

### Betriebsanleitung / Feldstärkemessgerät Operating instructions / Field strength testing tool

#### English

##### Repeat mode

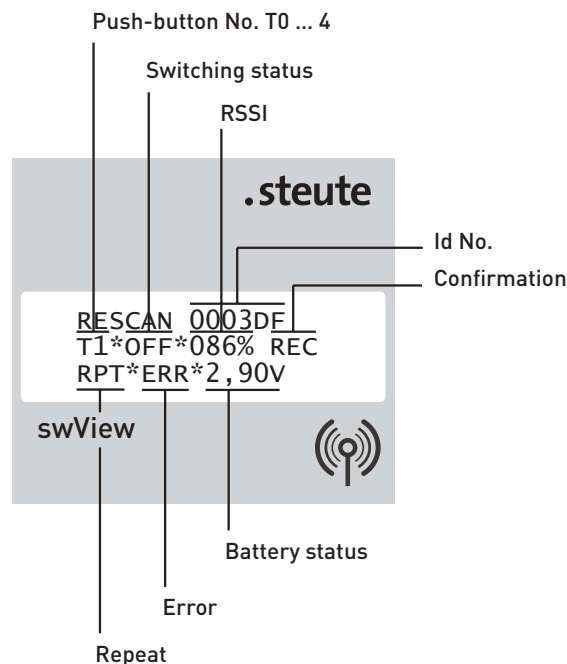
The received telegrams are repeated and amplified in the repeat mode.



1. ID No.: ID number of the received telegrams
2. Switching status: ON or OFF
3. Number of telegrams: Number of occurred telegrams with this ID No

##### Rescan mode

The characteristics of the selected transmitter are displayed in the rescan mode.

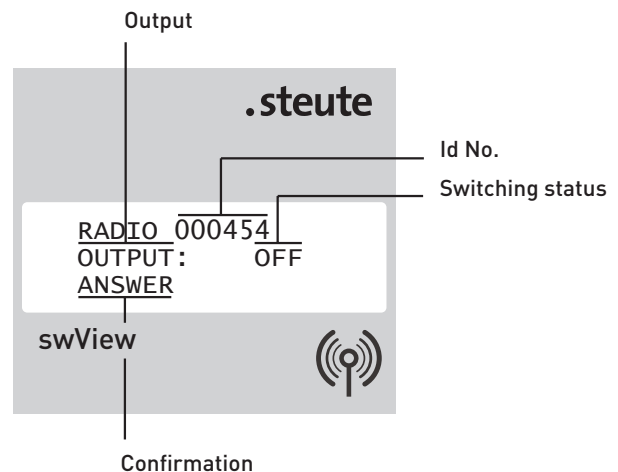


1. ID No.: The selected ID number
2. No. of push-button: The pressed number of push-button is displayed with transmitters with multiple push-buttons. With self-sufficient transmitters »T1« is displayed.
3. Switching status: ON or OFF
4. RSSI: Signal strength in percent
5. Confirmation: »REC« is displayed, if a receiver has transmitted a confirmation telegram
6. Battery status: Battery condition of transmitter. With self-sufficient transmitters »-----« is displayed
7. Error: »ERR« is displayed, when the last transmission has not properly been confirmed.
8. Repeat: The received telegram has been repeated. This happens if the transmitter receives no confirmation from the receiver.

##### Radio link

Telegrams with selected ID No. are transmitted in radio link.

1. Press LINK push-button: Telegram with switching status »ON« is transmitted
2. Release LINK push-button: Telegram with switching status »OFF« is transmitted



3. ID No.: The selected ID number
4. OUTPUT: Displays which switching status has been transmitted
5. Switching status: ON or OFF
6. Confirmation: »ANSWER« is displayed, if a receiver has transmitted a confirmation telegram.  
»NO ANSWER« is displayed, if a receiver has not transmitted a confirmation telegram.



## // swView 868/915

### Betriebsanleitung / Feldstärkemessgerät Operating instructions / Field strength testing tool

#### English

##### FCC/IC Regulatory Information

This device complies with part 15 of the FCC rules and RSS-210 of IC rules. Operation is subject to the following two conditions:

1. This device may not cause harmful interference, and
2. this device must accept any interference received, including interference that may cause undesired operation.

Modifications not expressly approved by this company could void the user's authority to operate the equipment.

This equipment has been tested and found to comply with the limits for a Class B digital device, pursuant to Part 15 of the FCC Rules. These limits are designed to provide reasonable protection against harmful interference in a residential installation. This equipment generates, uses and can radiate radio frequency energy and, if not installed and used in accordance with the instructions, may cause harmful interference to radio communications. However, there is no guarantee that interference will not occur in a particular installation. If this equipment does cause harmful interference to radio or television reception, which can be determined by turning the equipment off and on, the user is encouraged to try to correct the interference by one or more of the following measures:

- Reorient or relocate the receiving antenna.
- Increase the separation between the equipment and receiver.
- Connect the equipment into an outlet on a circuit different from that to which the receiver is connected.
- Consult the dealer or an experienced radio/TV technician for help.

##### Exposure to Radio Frequency (RF) Signals

This equipment complies with FCC radiation exposure limits set forth for an uncontrolled environment. This equipment must provide a separation distance of at least 20 cm from all persons and must not be co-located or operating in conjunction with any other antenna or transmitter. Not Authorized modification could void authority to use this equipment.

##### Notices

The transmission of one switching command from transmitter to receiver lasts approx. 80 to 100 ms on basis of the steute Wireless data transmission. The switching signal of a transmitter must not be generated in shorter time sequences otherwise this signal will be suppressed. **The devices can be operated registration- and license-free on the territory of the EC, USA, Canada Switzerland and Cyprus. The use in other countries must be explicitly clarified!** Subject to technical modifications. Reconstruction and alterations at the switch are not allowed. Moreover steute does not assume any liability for recommendations made or implied by this description. From this description new claims for guarantee, warranty or liability cannot be derived beyond the general terms and conditions of delivery.

##### Technical data Standards

EN 60947-5-1; EN 61000-6-2; EN 301 489-1; EN 301 489-3; EN 300 220-1, EN 300 220-2

##### Enclosure

Thermoplastic ABS (Acryl-Butadien-Styrol)  
UL 94-HB

##### Degree of protection Protocol

IP 44 to IEC/EN 60529  
steute Wireless

##### Display

LCD 3x16 ASCII Zeichen

##### Switching frequency

approx. 1200 telegrams depending on the mode

##### Transmission power

< 20 mW depending on the mode

##### Modulation process

FSK

##### Data rate

66,67 kbps

##### Bandwidth channel

200 kHz

##### Frequency

868,3 MHz/915 MHz

##### Sensing range

max. 400 m outside,  
max. 40 m inside

##### Power supply

2AA batteries (replaceable)

##### Standby

after 5 min.

##### Battery life

Standby: approx. 3 years, active mode  
(Continuous operation): approx. 12 days

##### Ambient temperature

-20 °C ... +85 °C

##### Approvals

FCC: XK5-RFRXSW915  
IC: 5158A-RFRXSW915